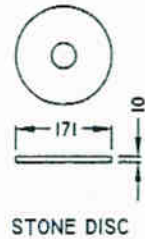
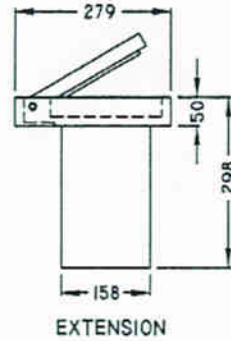
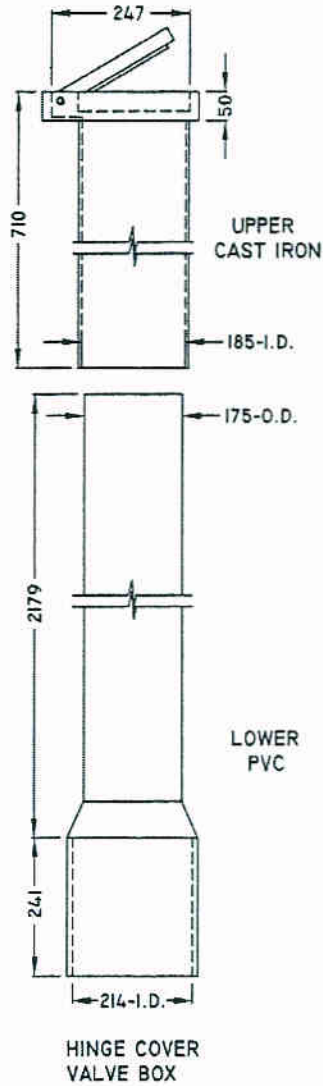
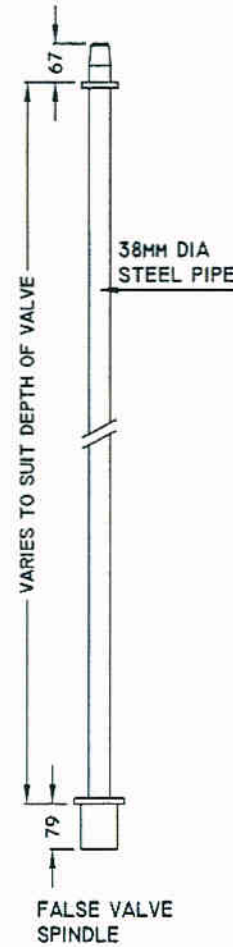




CITY OF WINNIPEG TYPE D STANDARD VALVE BOX AND COMPONENTS



MEASUREMENTS IN MILLIMETERS



MEASUREMENTS IN MILLIMETERS

ISO 9001-2000 CERTIFIED

TITAN FOUNDRY
WINNIPEG, MANITOBA