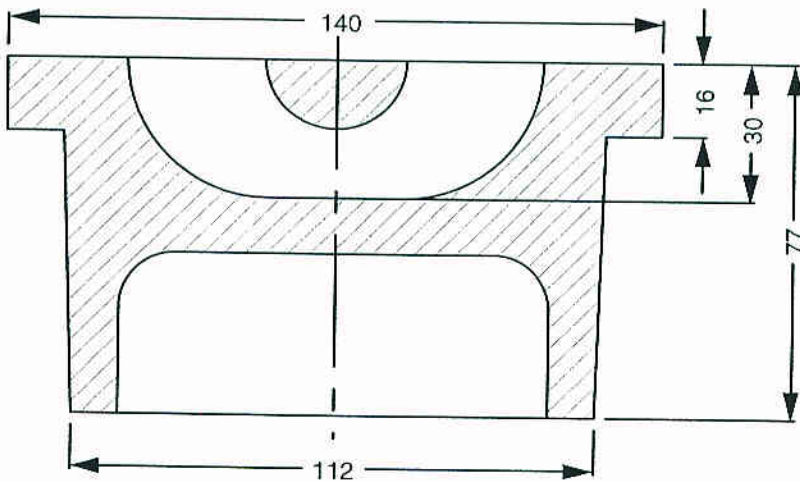
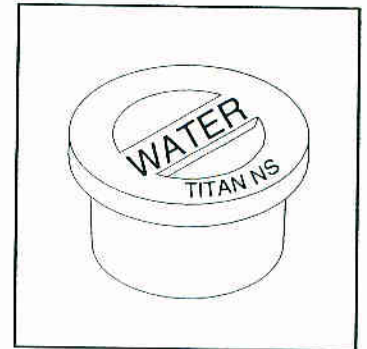




COS VALVE BOX LID (NS)

LID - NS

PLAN



SECTION A-A

ISO 9001-2000 CERTIFIED

MEASUREMENTS IN MILLIMETERS

TITAN FOUNDRY

WINNIPEG, MANITOBA