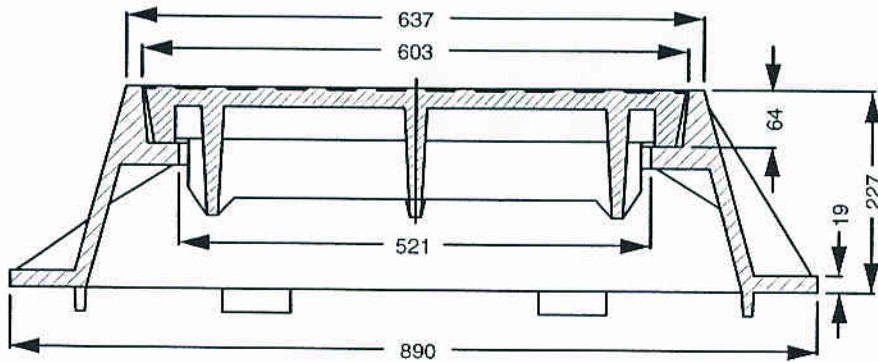
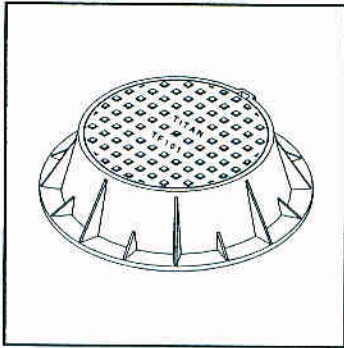
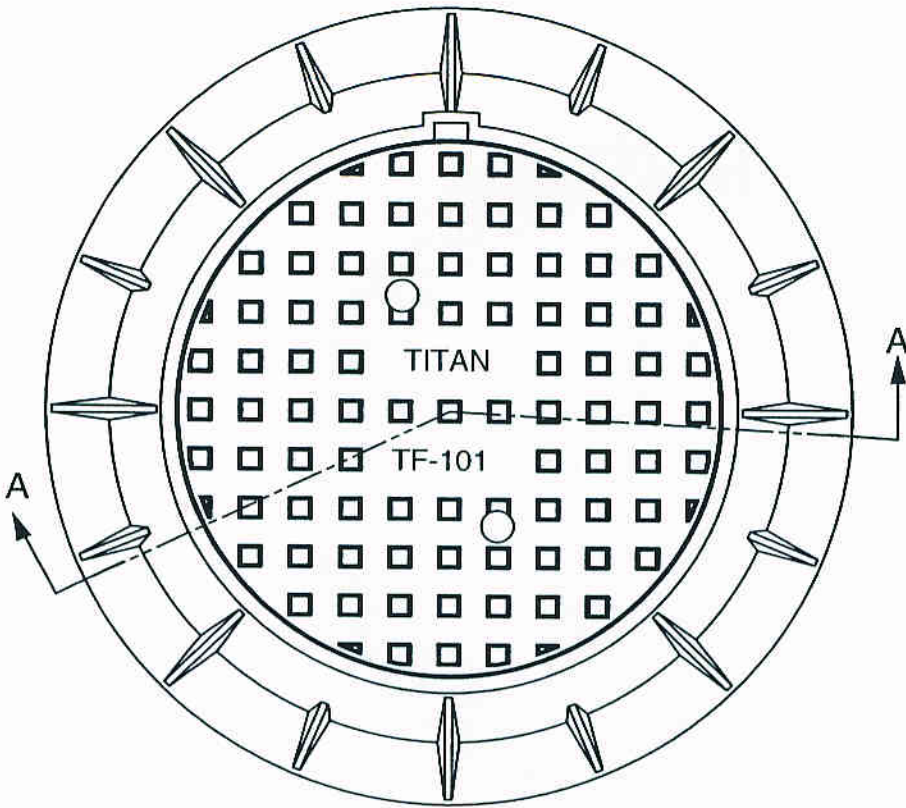




# FRAME AND SOLID COVER

**TF-101-9"**

PLAN



SECTION A-A

ISO 9001-2000 CERTIFIED

MEASUREMENTS IN MILLIMETERS

# TITAN FOUNDRY

WINNIPEG, MANITOBA