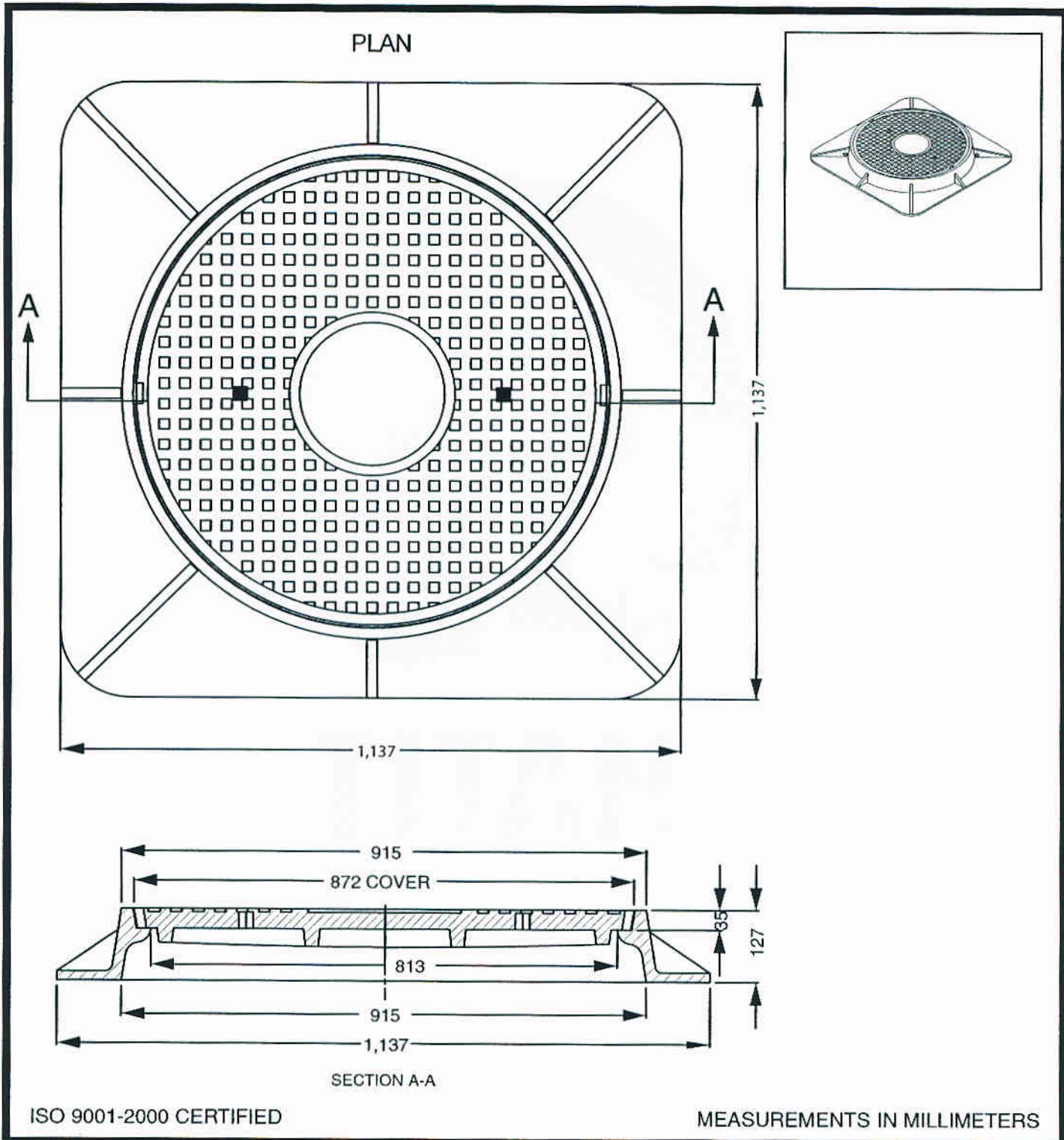




FRAME AND SOLID-BLANK COVER

TF-113-5"



TITAN FOUNDRY
WINNIPEG, MANITOBA