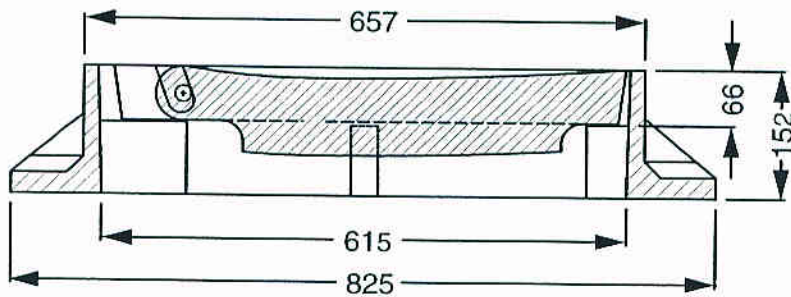
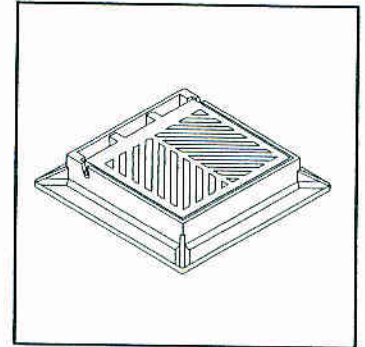
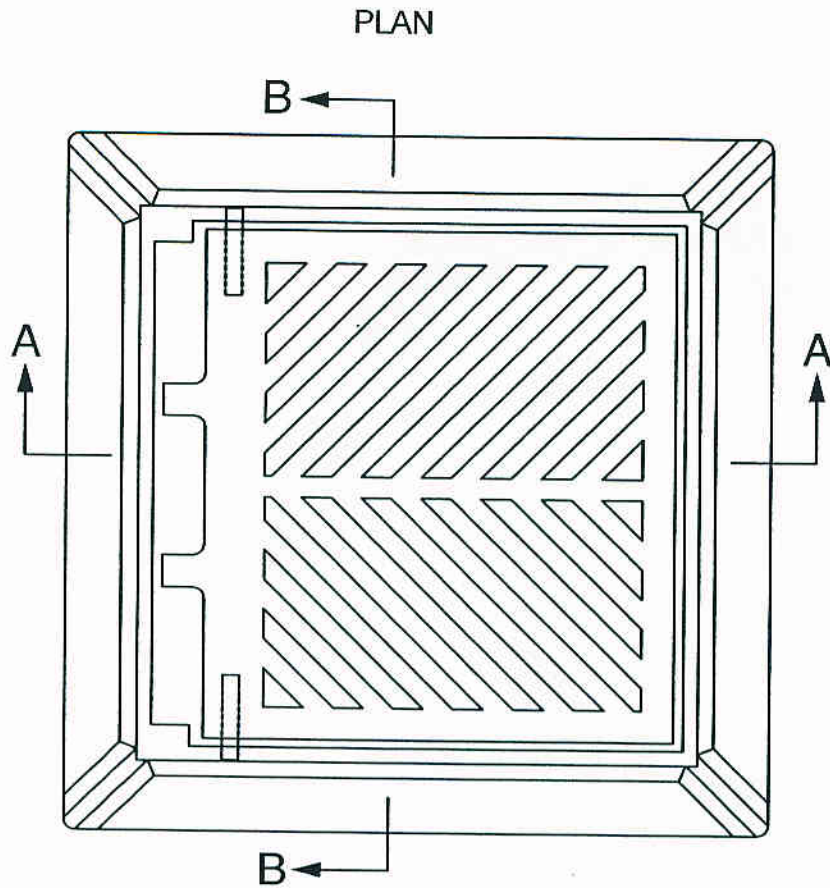


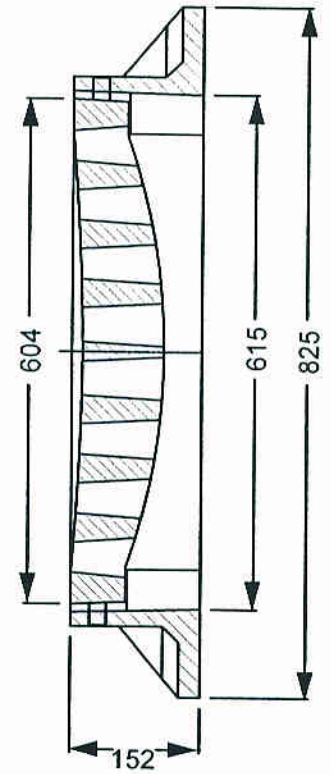


FRAME AND GRATED COVER

TF-107-6"



SECTION A-A



SECTION B-B

ISO 9001-2000 CERTIFIED

MEASUREMENTS IN MILLIMETERS

TITAN FOUNDRY

WINNIPEG, MANITOBA