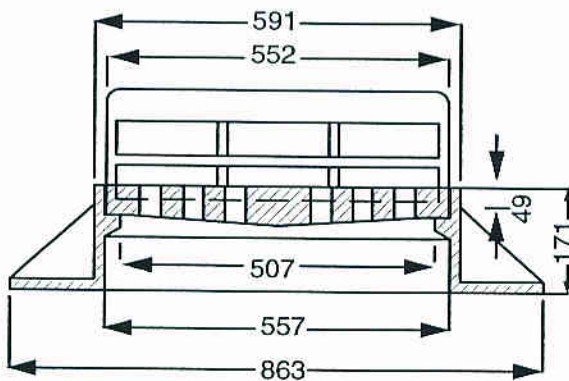
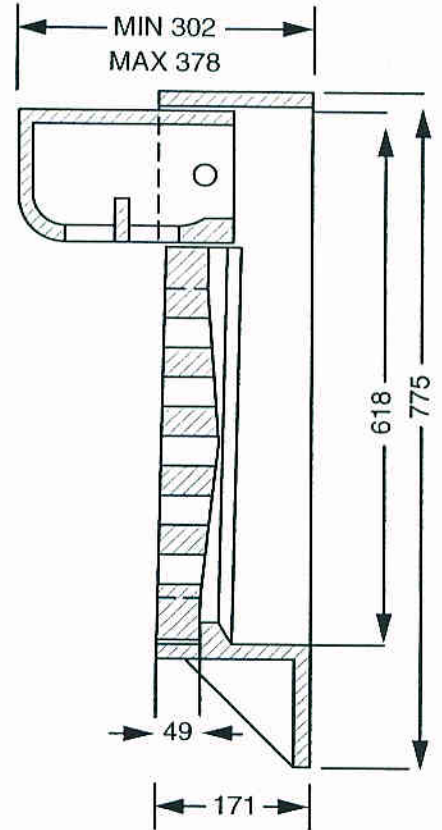
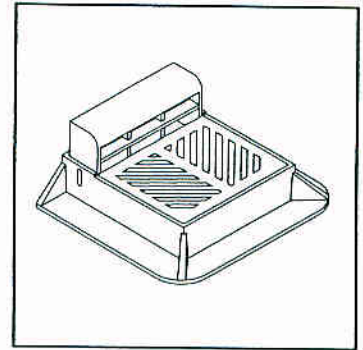
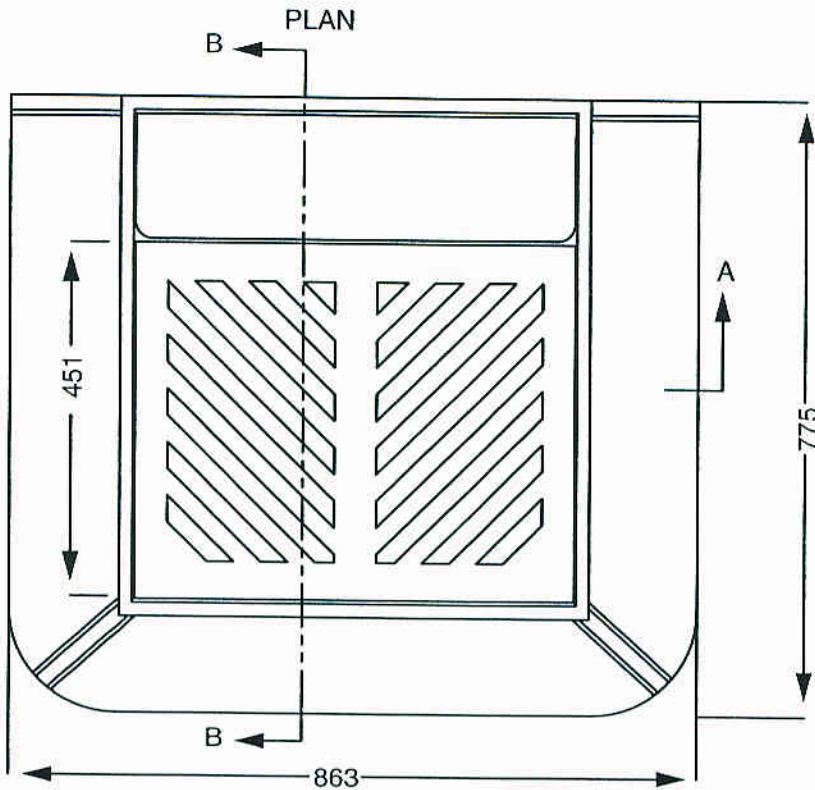




# FRAME, GRATE AND SIDE INLET

TF-103-3



SECTION A-A

SECTION B-B

ISO 9001-2000 CERTIFIED

MEASUREMENTS IN MILLIMETERS

# TITAN FOUNDRY

WINNIPEG, MANITOBA