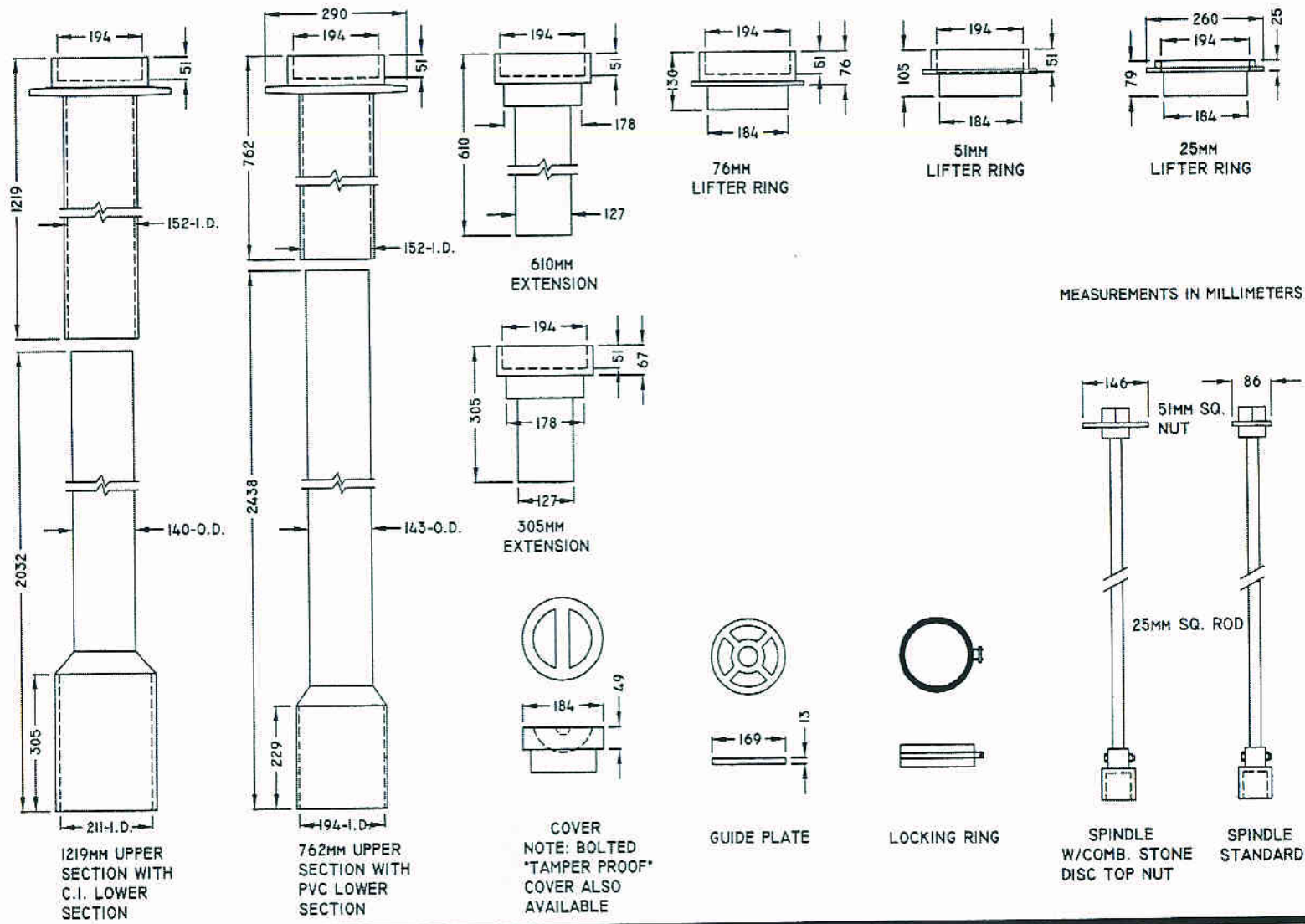




TYPE A VALVE BOX - OPTIONS AND COMPONENTS



ISO 9001-2000 CERTIFIED

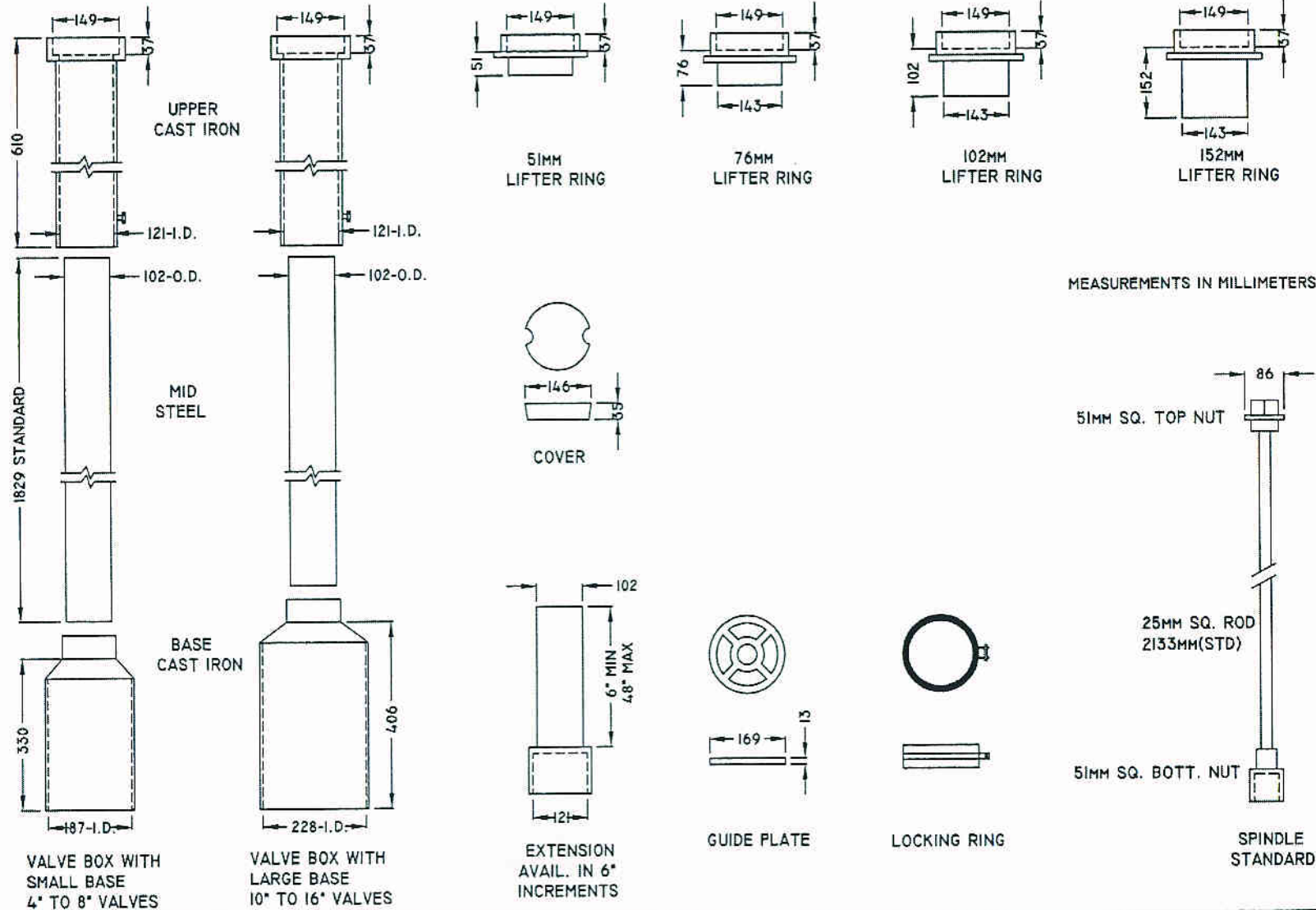
TITAN FOUNDRY

WINNIPEG, MANITOBA

MEASUREMENTS IN MILLIMETERS



TYPE C VALVE BOX AND COMPONENTS



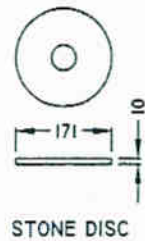
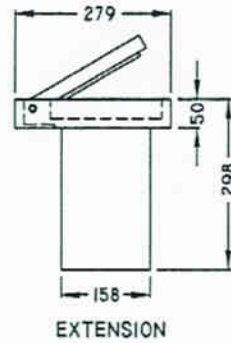
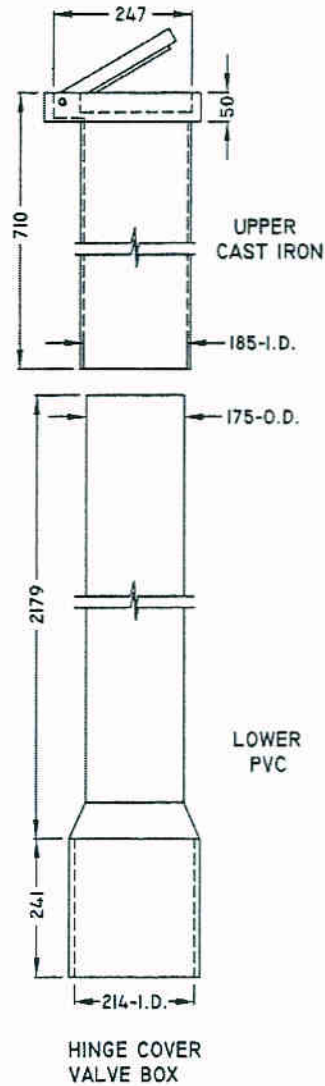
ISO 9001-2000 CERTIFIED

TITAN FOUNDRY
WINNIPEG, MANITOBA

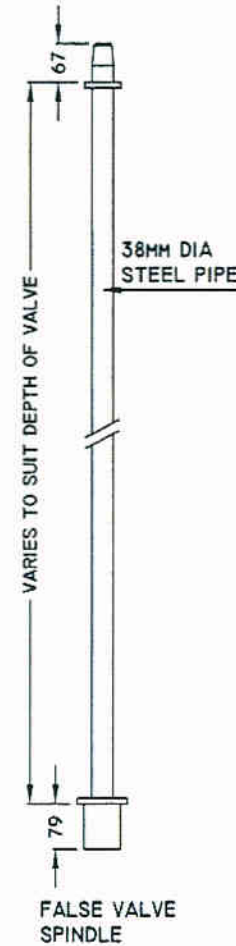
MEASUREMENTS IN MILLIMETERS



CITY OF WINNIPEG TYPE D STANDARD VALVE BOX AND COMPONENTS



MEASUREMENTS IN MILLIMETERS



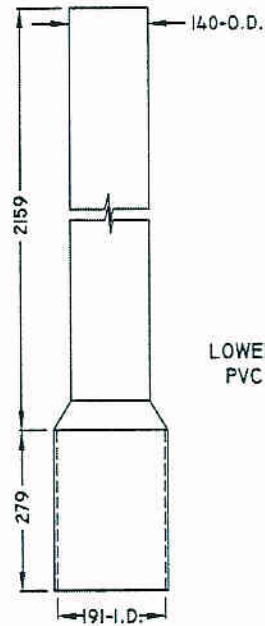
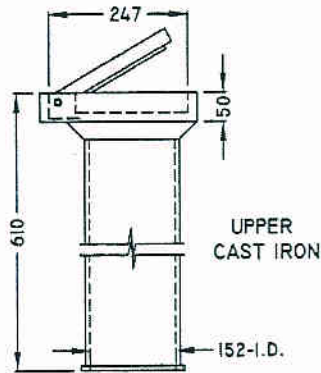
MEASUREMENTS IN MILLIMETERS

ISO 9001-2000 CERTIFIED

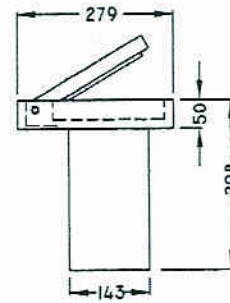
TITAN FOUNDRY
WINNIPEG, MANITOBA



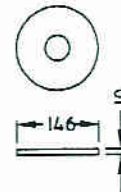
TYPE E COUNTRY VALVE BOX AND COMPONENTS



HINGE COVER
VALVE BOX



EXTENSION



STONE DISC

MEASUREMENTS IN MILLIMETERS

25MM SQ. SOLID STEEL BAR
LENGTH AS REQUIRED

51MM SQ. BOTT. NUT

STANDARD
SPINDLE

MEASUREMENTS IN MILLIMETERS

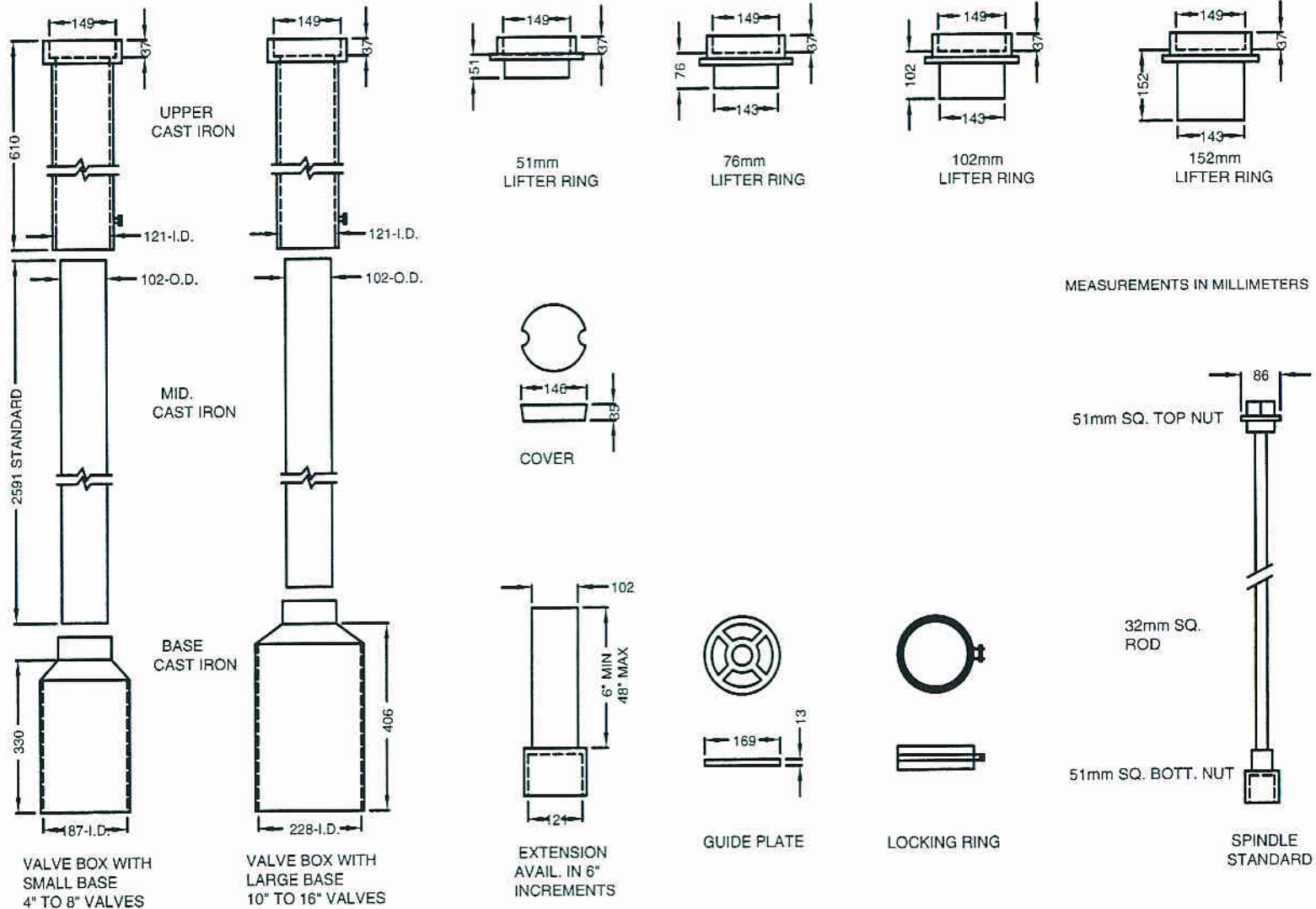
ISO 9001-2000 CERTIFIED

TITAN FOUNDRY

WINNIPEG, MANITOBA



CITY OF SASKATOON STANDARD VALVE BOX AND COMPONENTS



ISO 9001-2000 CERTIFIED

TITAN FOUNDRY

WINNIPEG, MANITOBA

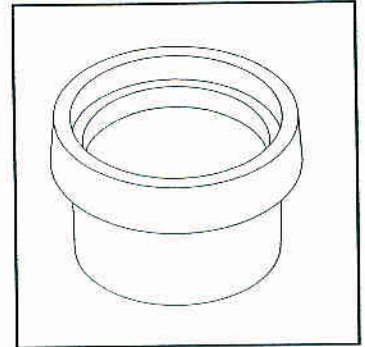
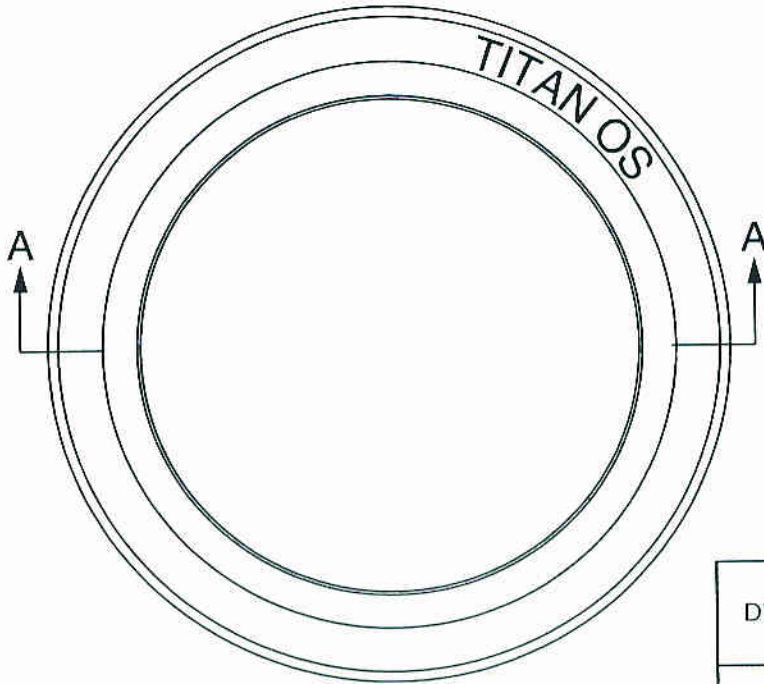
MEASUREMENTS IN MILLIMETERS



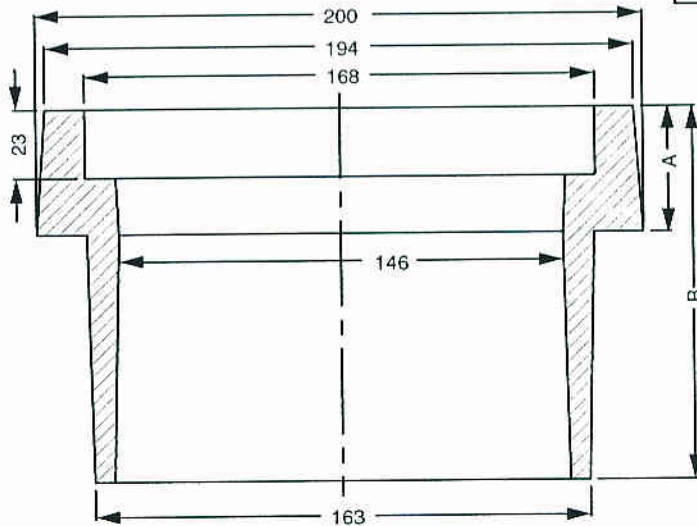
COS OS VALVE BOX RISERS 1" - 4"

VBR

PLAN



DIMENSION	RISER			
	1"	2"	3"	4"
A	35	35	42	42
B	60	74	99	125



SECTION A-A

ISO 9001-2000 CERTIFIED

MEASUREMENTS IN MILLIMETERS

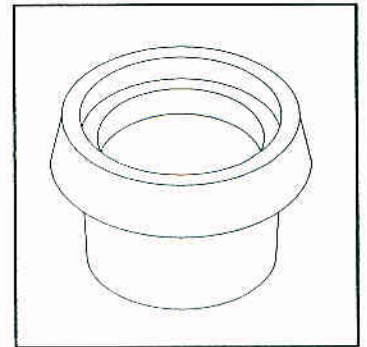
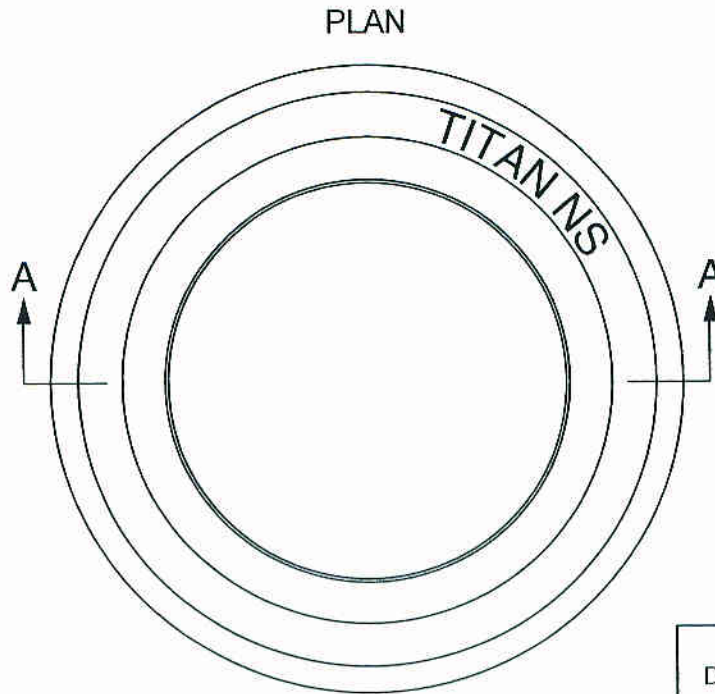
TITAN FOUNDRY

WINNIPEG, MANITOBA

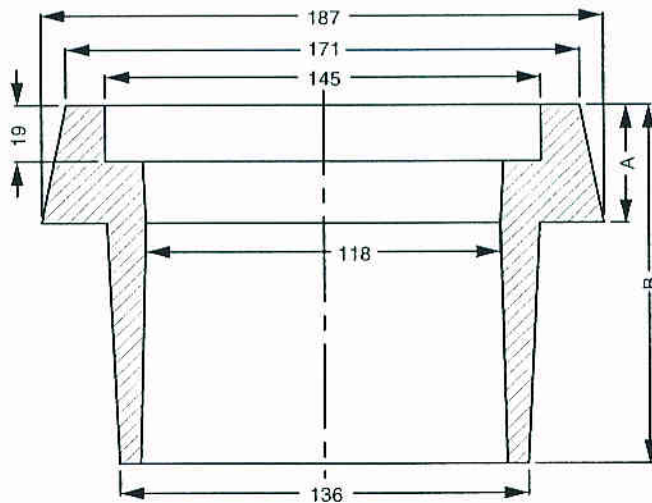


COS NS VALVE BOX RISERS 1" - 4"

VBR NS



DIMENSION	RISER			
	1"	2"	3"	4"
A	33	40	40	40
B	51	70	95	121



SECTION A-A

ISO 9001-2000 CERTIFIED

MEASUREMENTS IN MILLIMETERS

TITAN FOUNDRY

WINNIPEG, MANITOBA