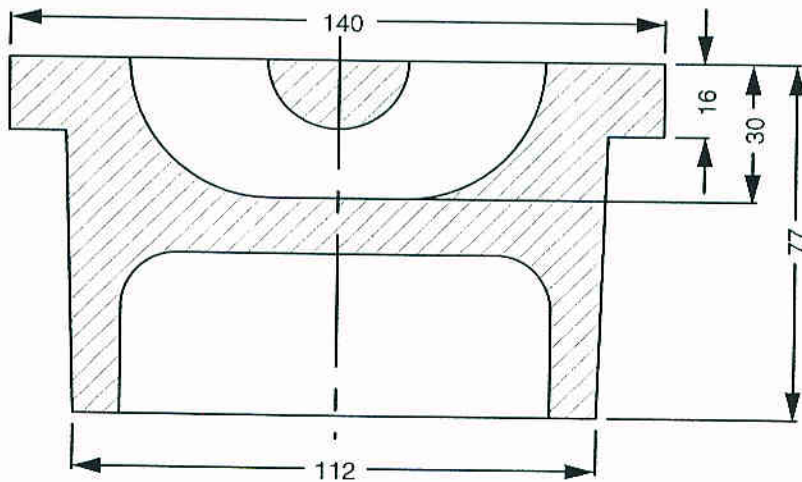
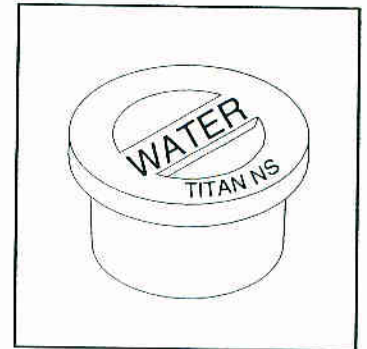




COS VALVE BOX LID (NS)

LID - NS

PLAN



SECTION A-A

ISO 9001-2000 CERTIFIED

MEASUREMENTS IN MILLIMETERS

TITAN FOUNDRY

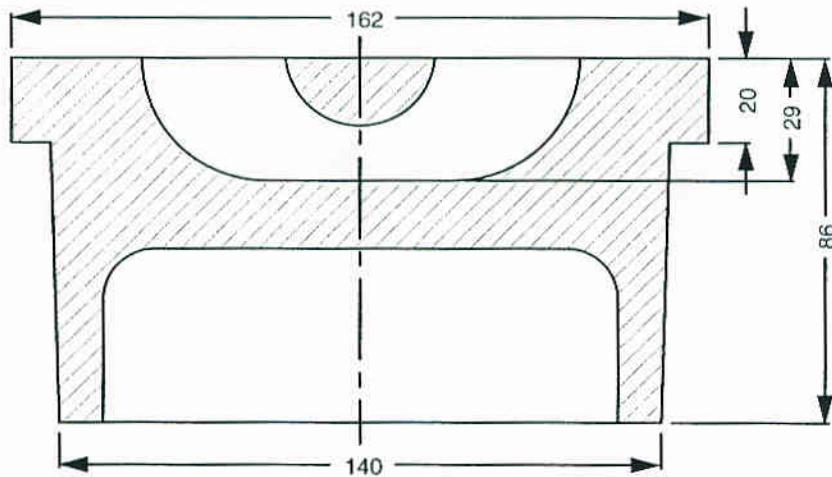
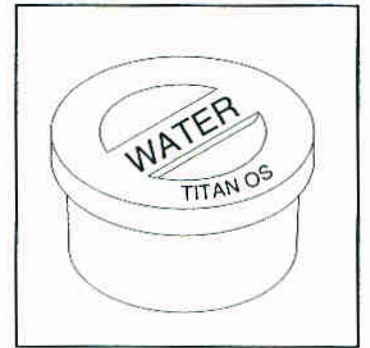
WINNIPEG, MANITOBA



COS VALVE BOX LID (OS)

LID - OS

PLAN



SECTION A-A

ISO 9001-2000 CERTIFIED

MEASUREMENTS IN MILLIMETERS

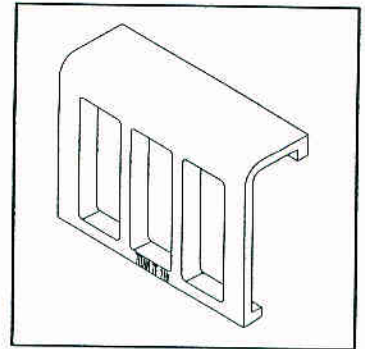
TITAN FOUNDRY

WINNIPEG, MANITOBA

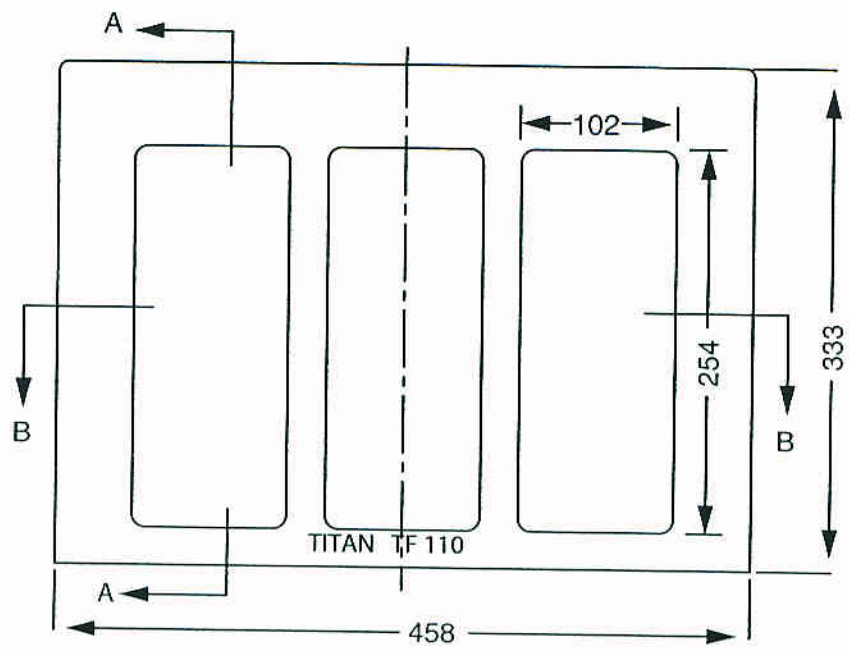


3 HOLE CURB INLET

TF-110

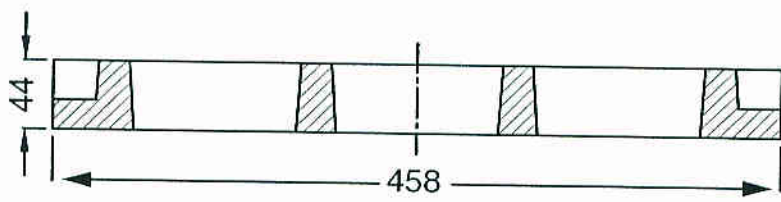
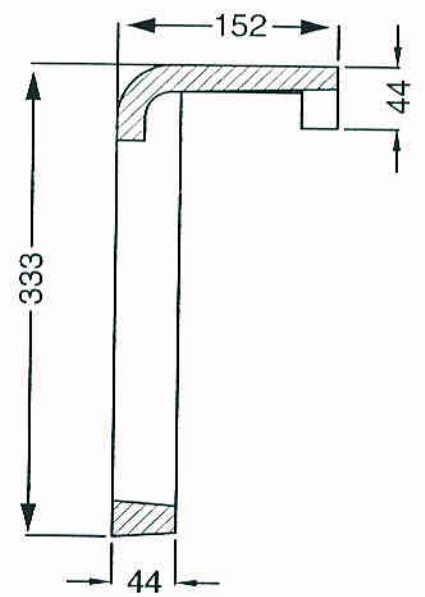


PLAN



TITAN TF 110

FRONT VIEW



SECTION B-B

SECTION A-A

ISO 9001-2000 CERTIFIED

MEASUREMENTS IN MILLIMETERS

TITAN FOUNDRY

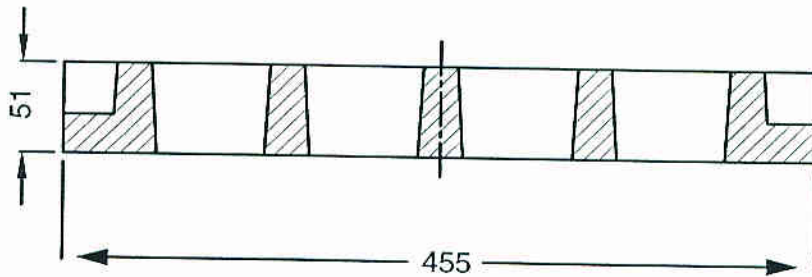
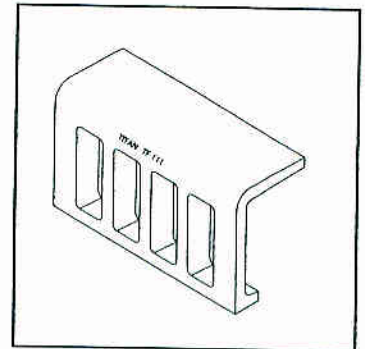
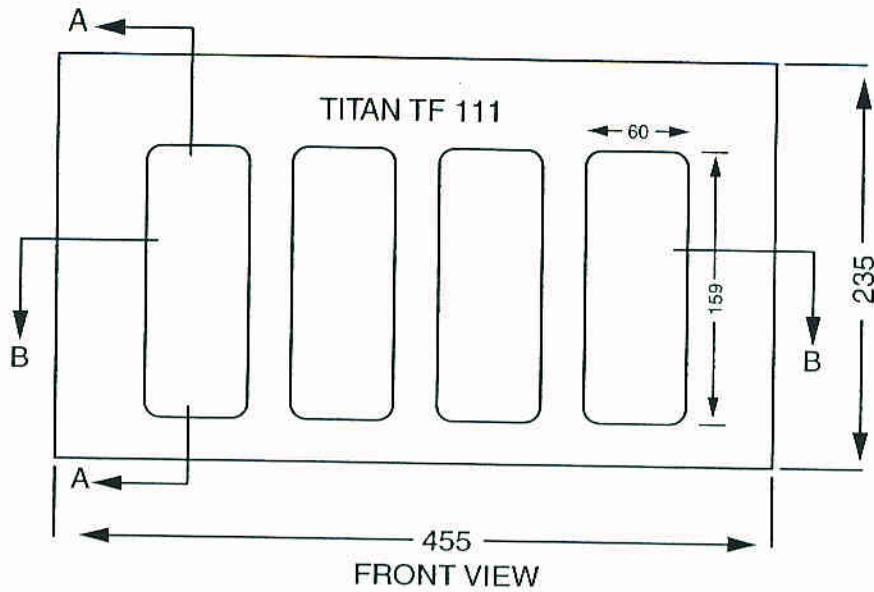
WINNIPEG, MANITOBA



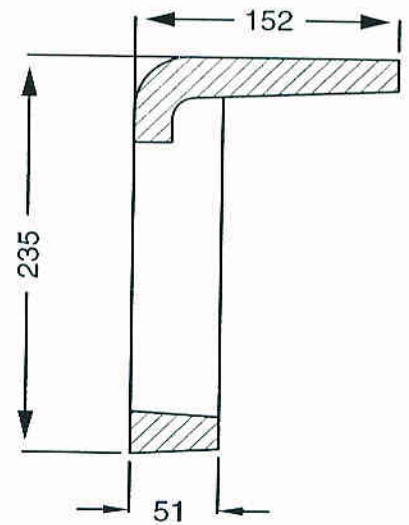
4 HOLE CURB INLET

TF-111

PLAN



SECTION B-B



SECTION A-A

ISO 9001-2000 CERTIFIED

MEASUREMENTS IN MILLIMETERS

TITAN FOUNDRY

WINNIPEG, MANITOBA