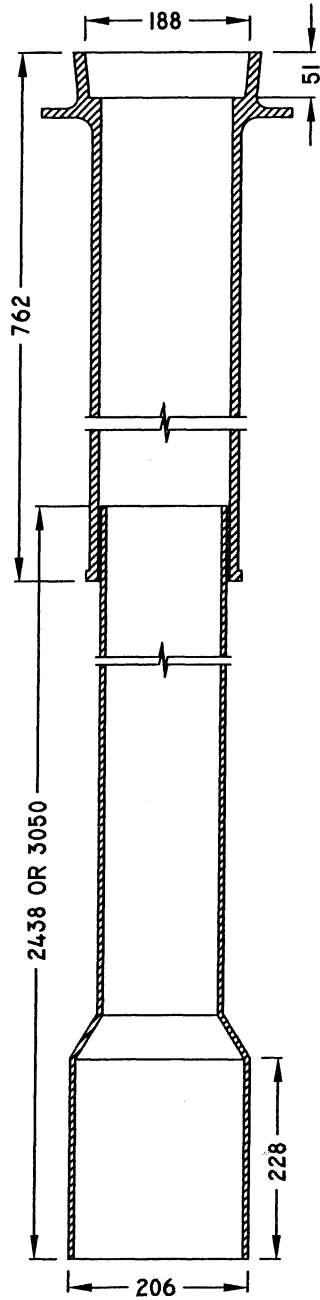
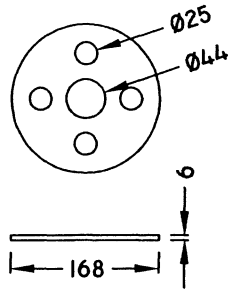


TYPE A 30IN TOP SECTION
c/w PVC BOTTOM SECTION

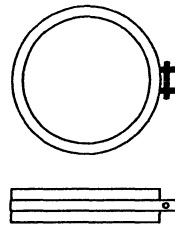
A-VB



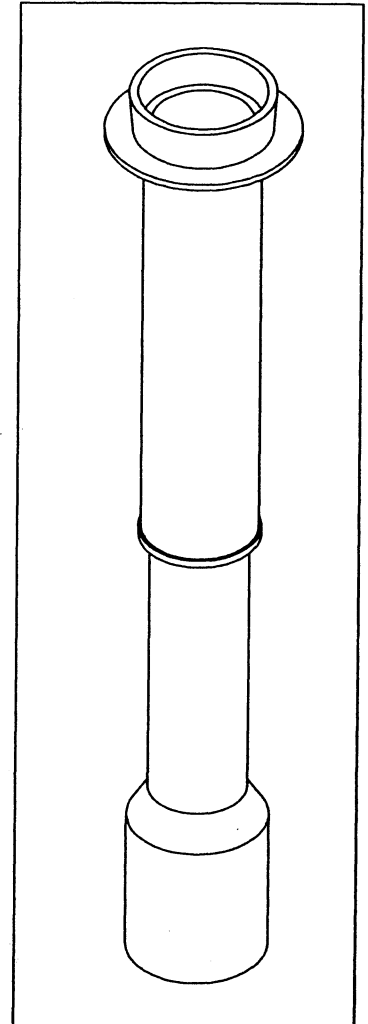
SECTION



GUIDE PLATE



RUBBER LOCKING RING

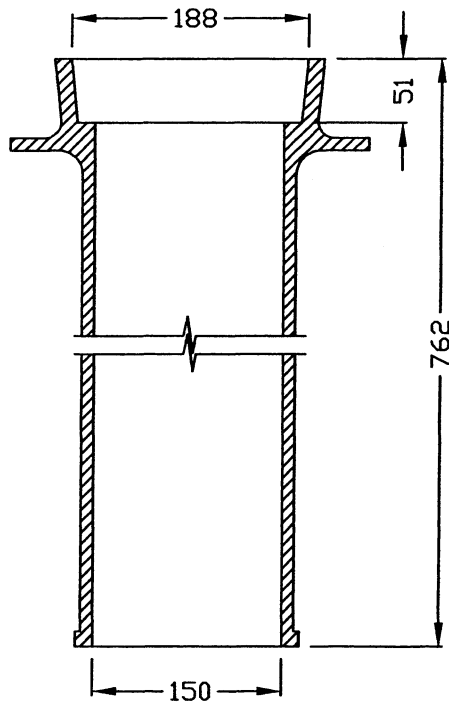
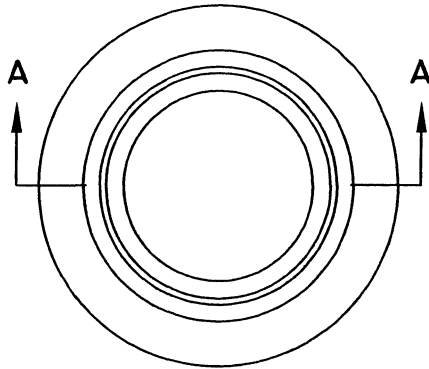


BOTTOM SECTION ALSO AVAILABLE IN CAST IRON

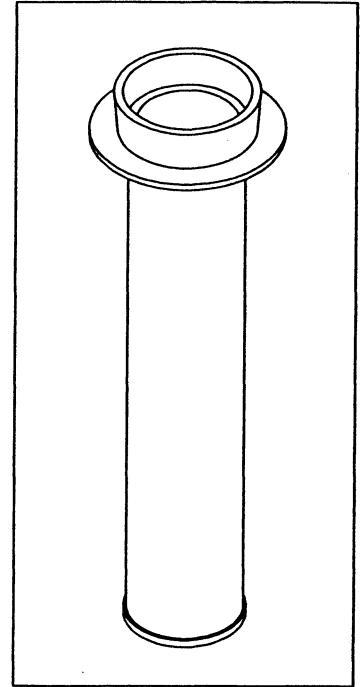
TYPE A 30IN TOP SECTION

A-VB

PLAN



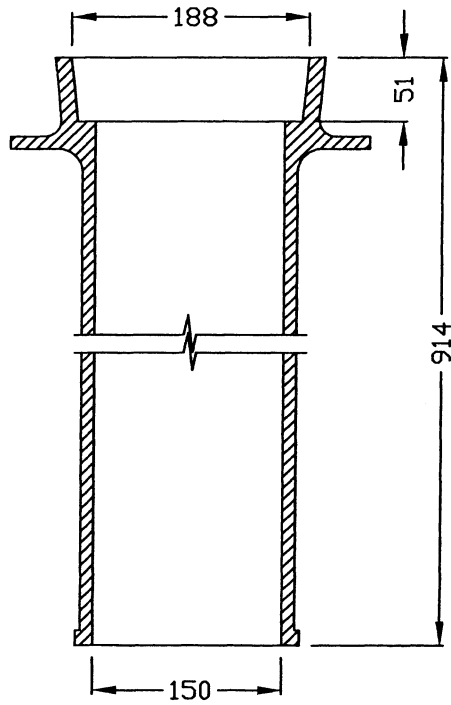
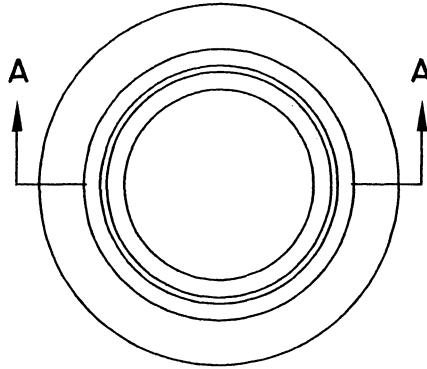
SECTION A-A



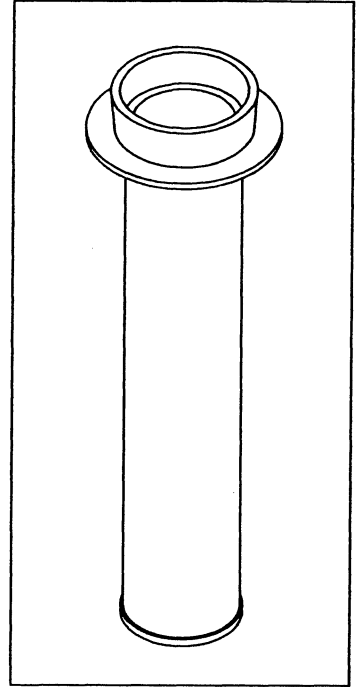
TYPE A 36IN TOP SECTION

A-VB

PLAN



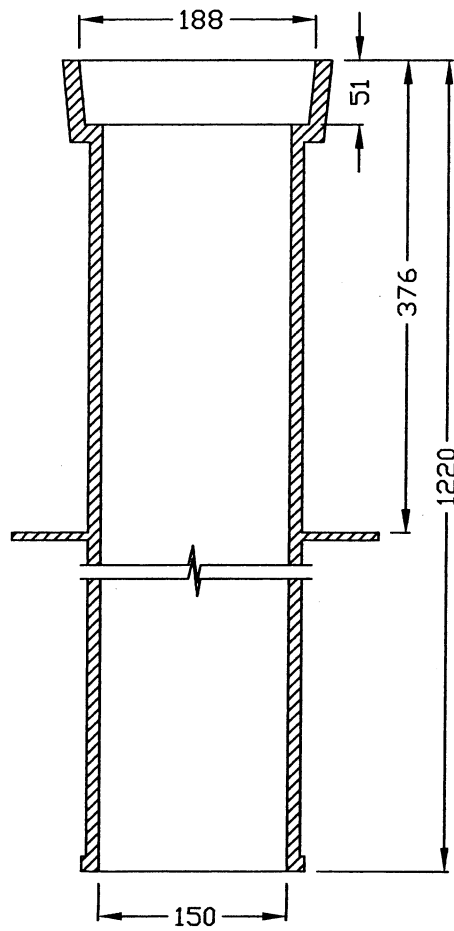
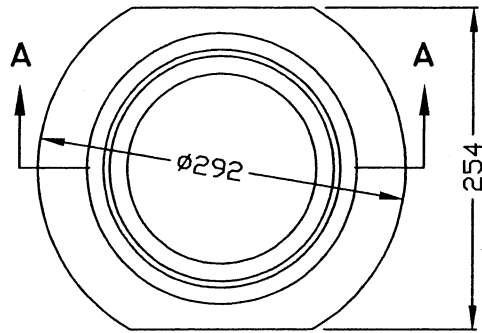
SECTION A-A



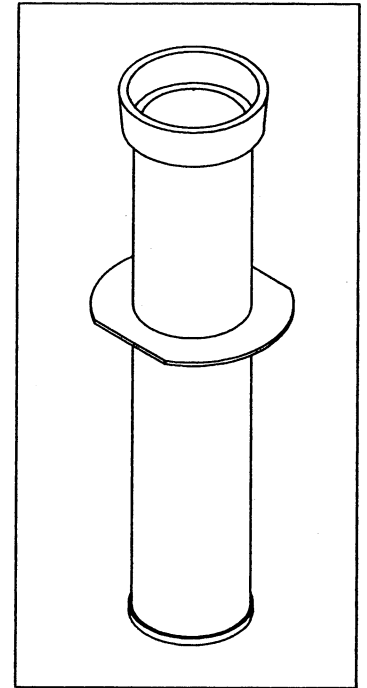
TYPE A 48IN TOP SECTION

A-VB

PLAN



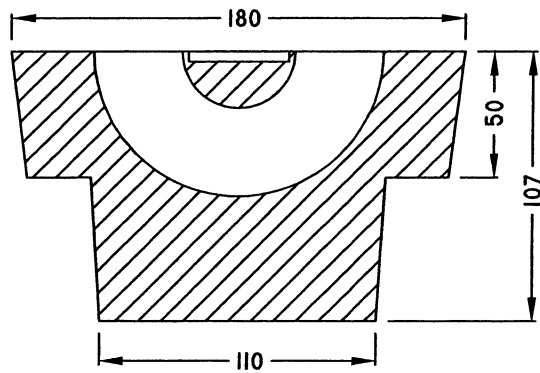
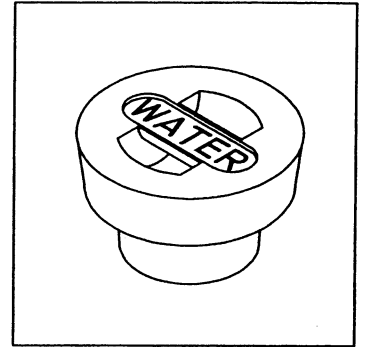
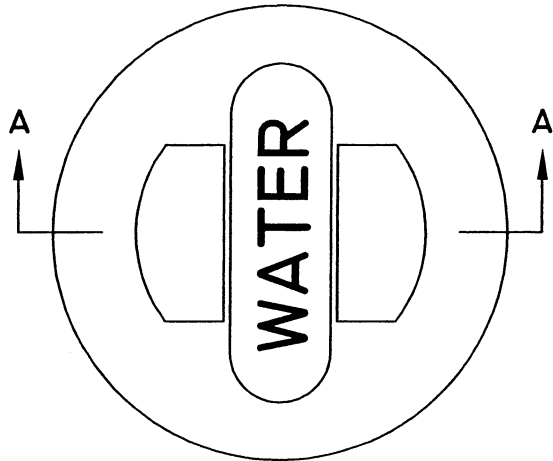
SECTION A-A



TYPE A AND B VALVE BOX LID

A-VB

PLAN

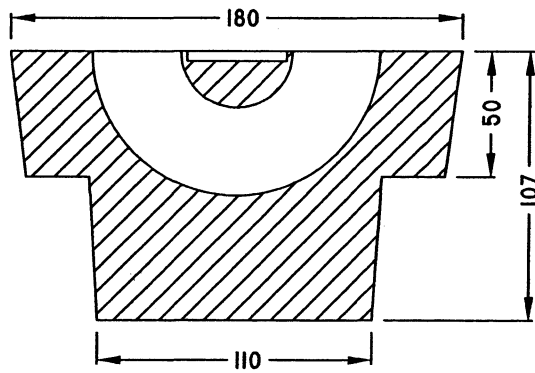
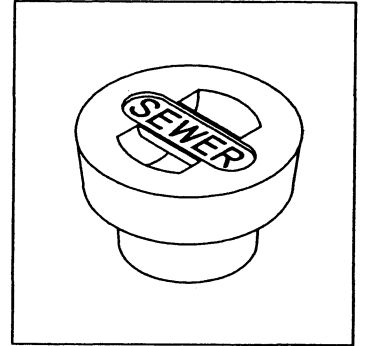
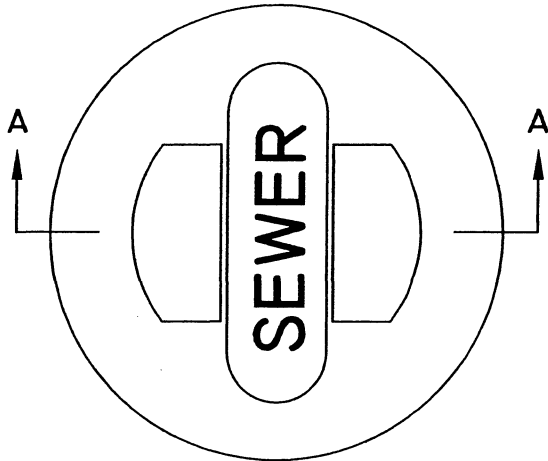


SECTION A-A

TYPE A AND B VALVE BOX LID

A-VB

PLAN

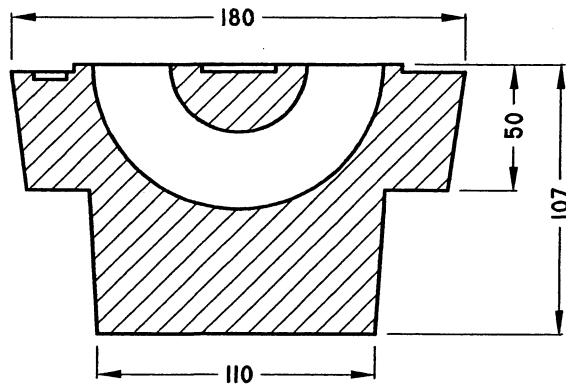
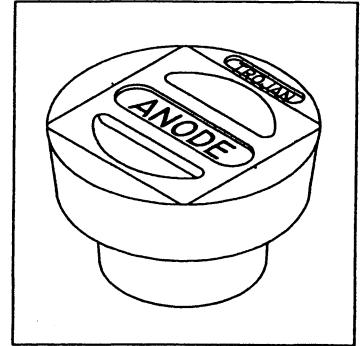
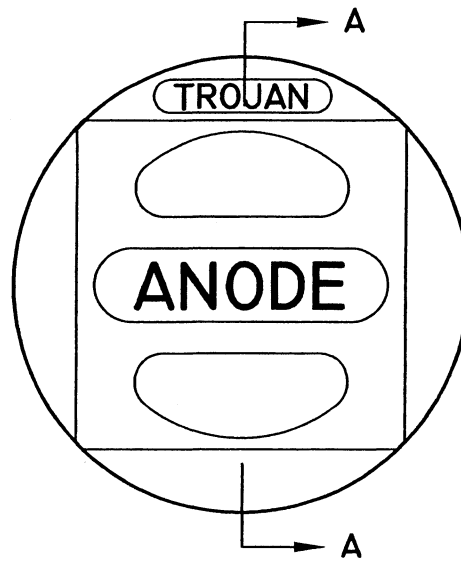


SECTION A-A

TYPE A AND B VALVE BOX LID

A-VB

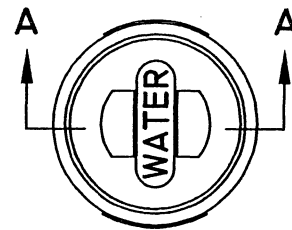
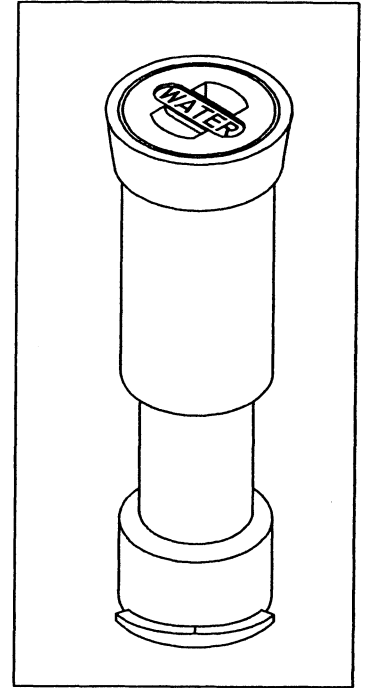
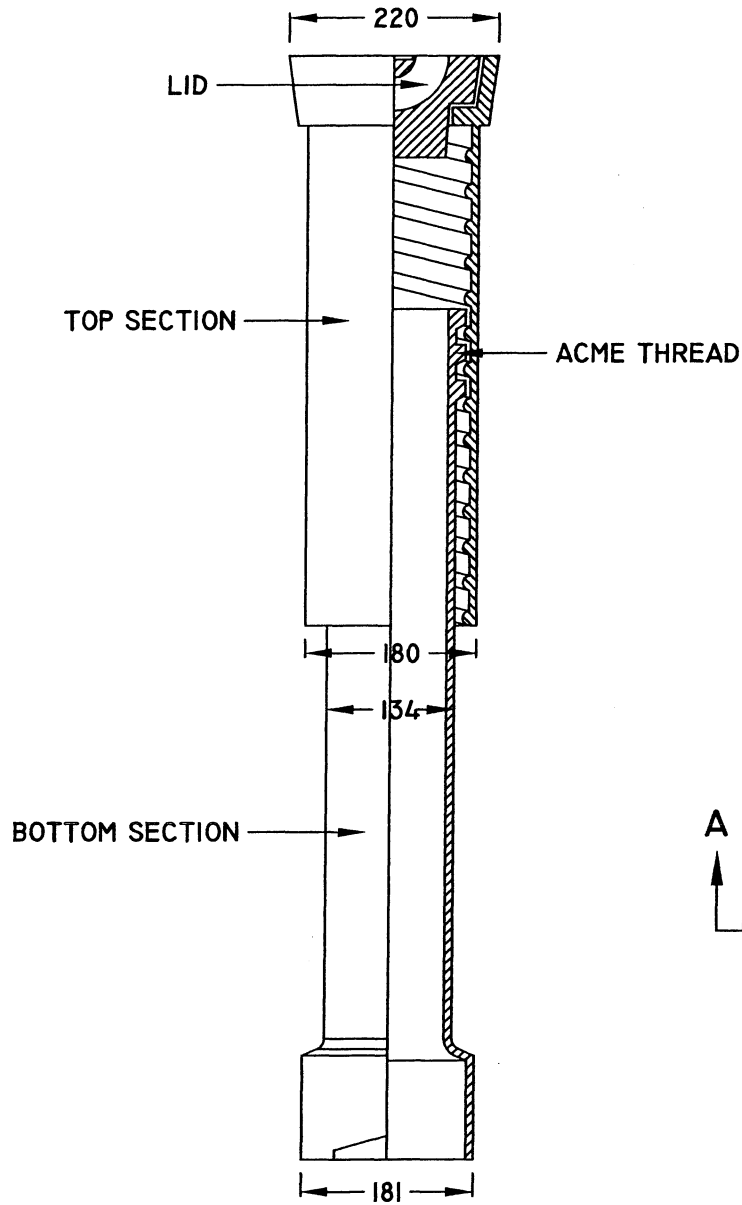
PLAN



SECTION A-A

VALVE BOX TYPE B

B-VB



PLAN

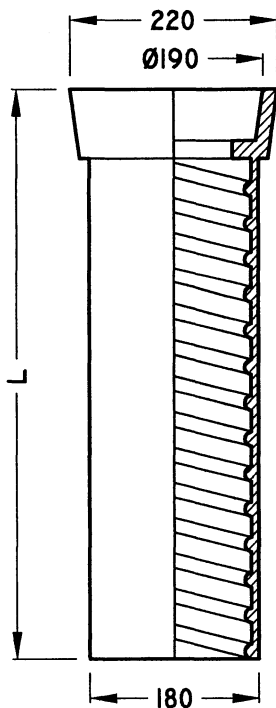
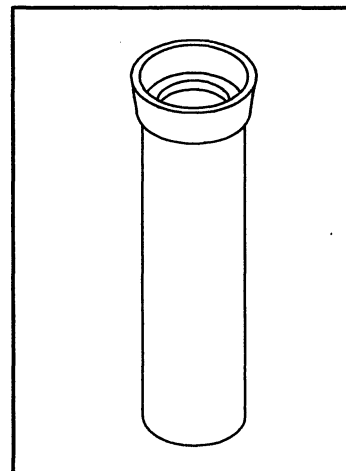
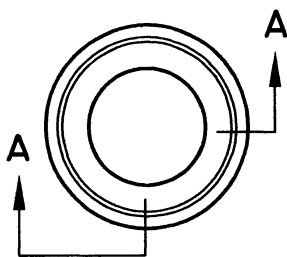
1. TOP SECTION LENGTH ARE 600, 900 AND 1200MM

2. BOTTOM SECTION LENGTH ARE 900, 1200 AND 1500MM

VALVE BOX B TOP SECTION

B-VB

PLAN



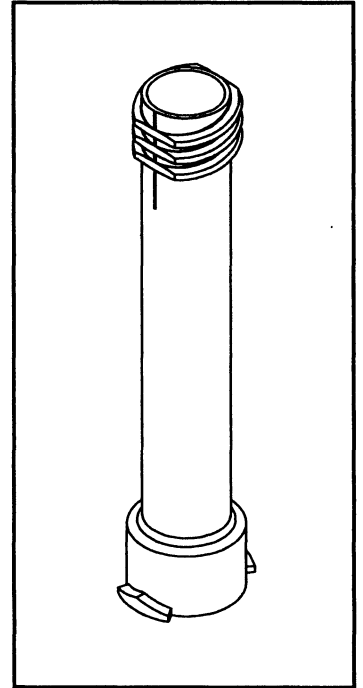
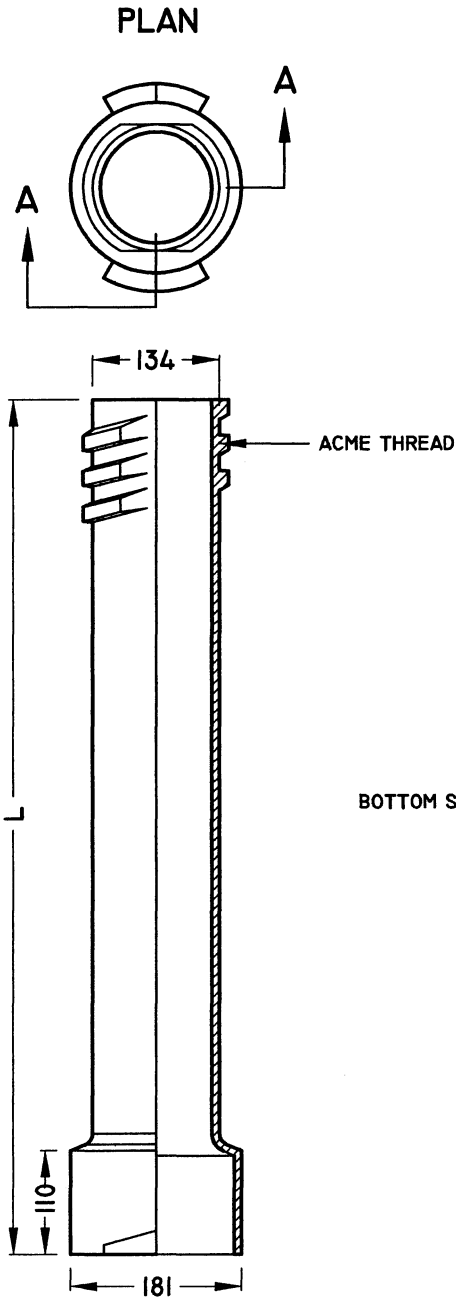
TOP SECTION LENGTH ARE 600, 900 AND 1200MM

SECTION A-A

MEASUREMENTS IN MILLIMETERS

VALVE BOX B BOTTOM SECTION

B-VB



BOTTOM SECTION LENGTH ARE 900, 1200 AND 1500MM

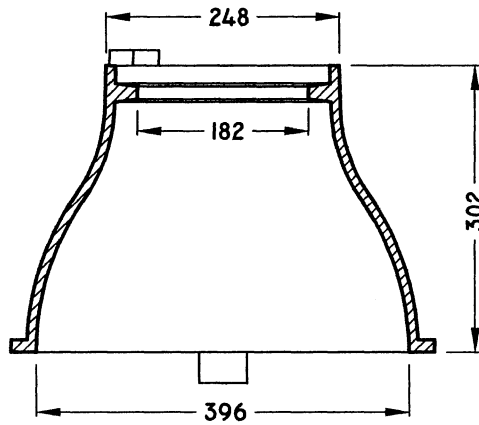
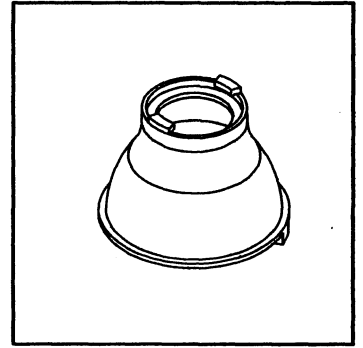
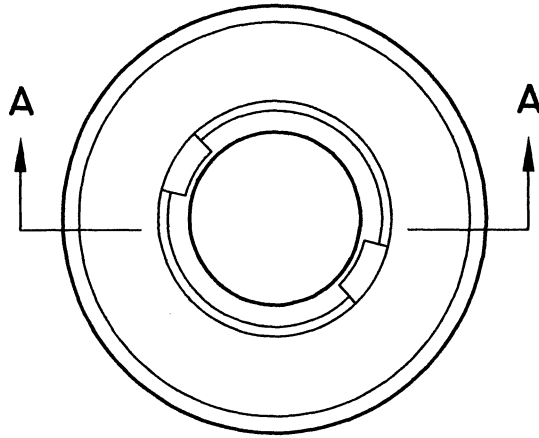
SECTION A-A

MEASUREMENTS IN MILLIMETERS

VALVE BOX B BONNET

B-VB

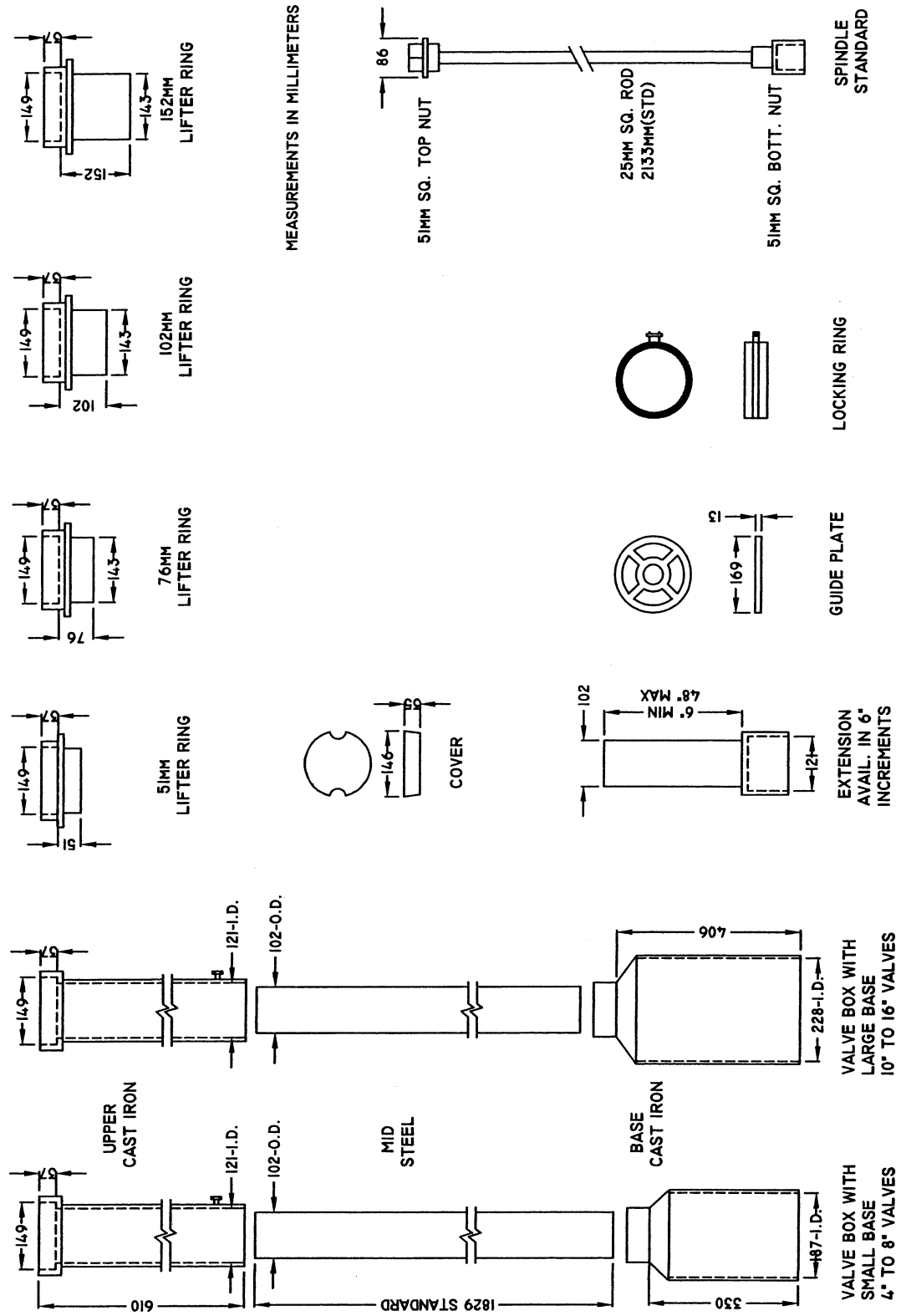
PLAN



SECTION A-A

MEASUREMENTS IN MILLIMETERS

TYPE C VALVE BOX AND COMPONENTS



MEASUREMENTS IN MILLIMETERS

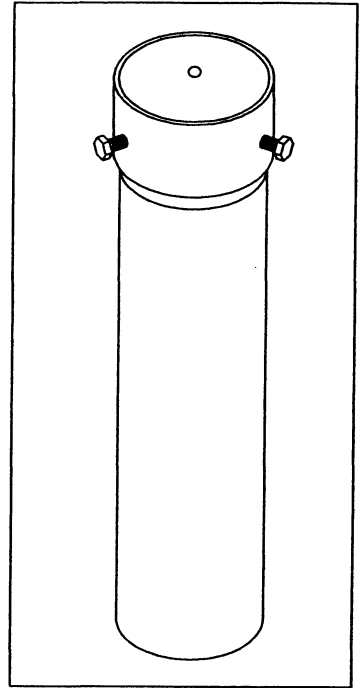
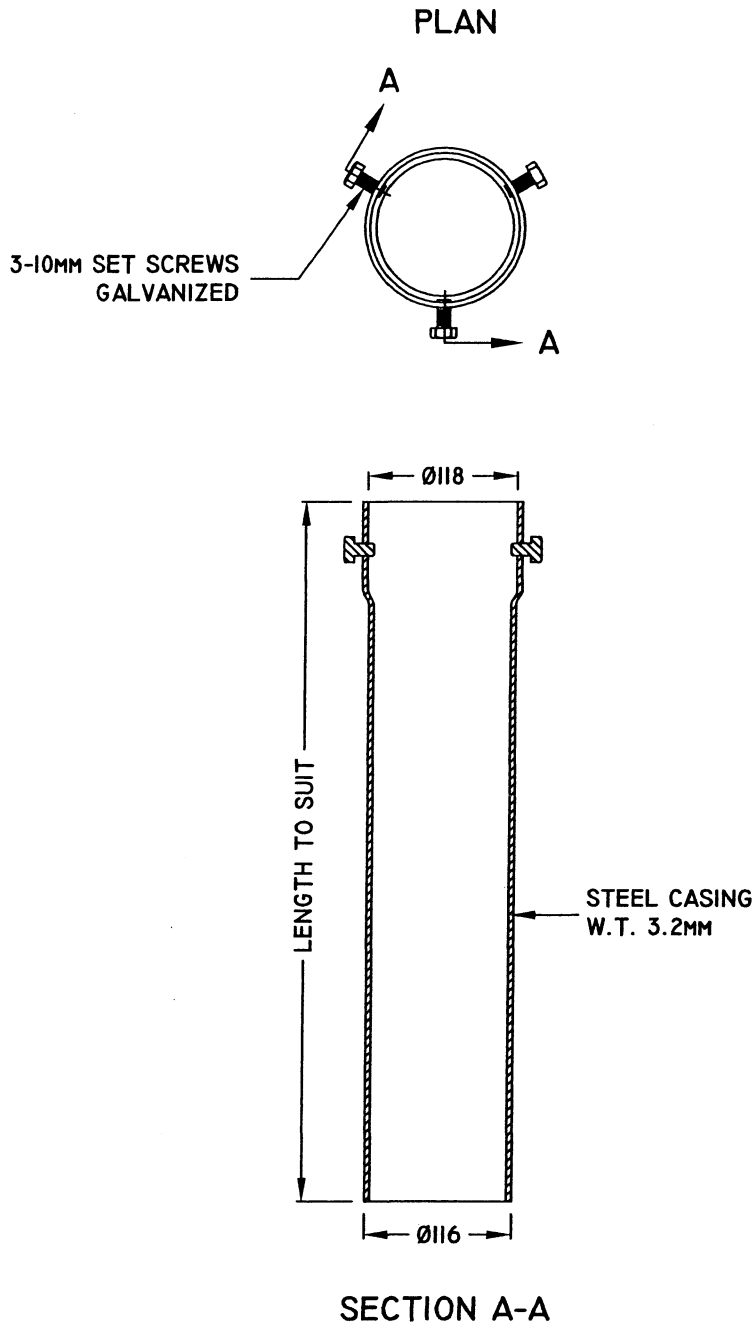
MEASUREMENTS IN MILLIMETERS

RATED FOR HS-20 LIVE LOAD

ISO 9001-2000 CERTIFIED

TYPE C VALVE BOX EXTENSIONS

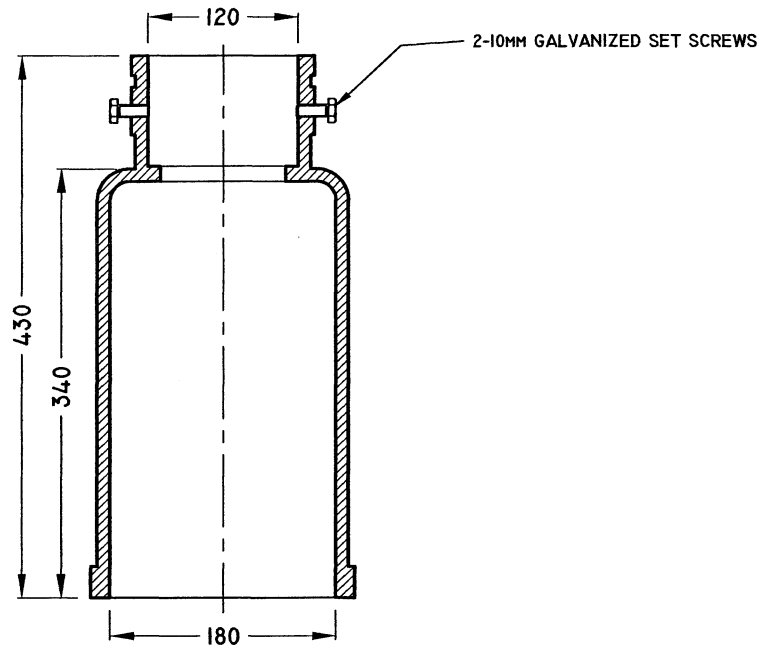
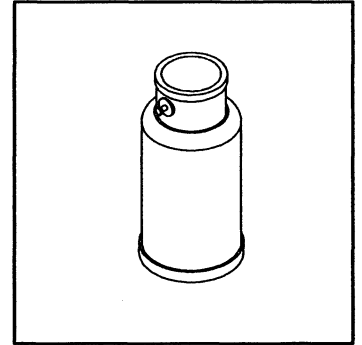
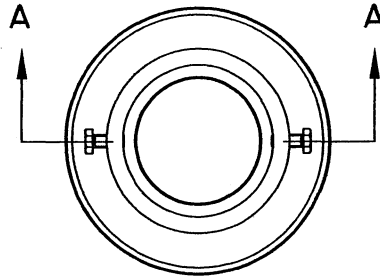
CVBE



VALVE BOX BOOT

CVB I

PLAN

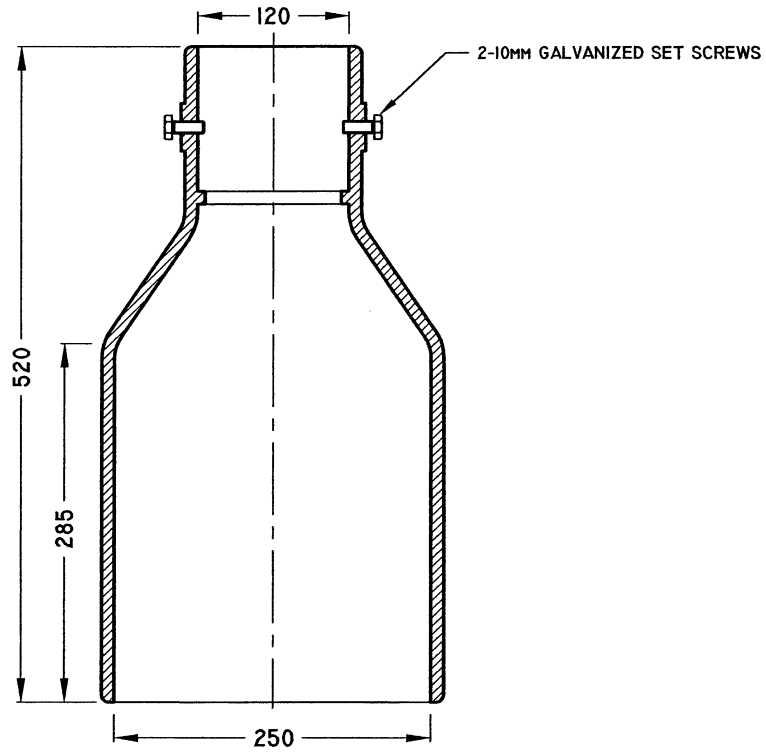
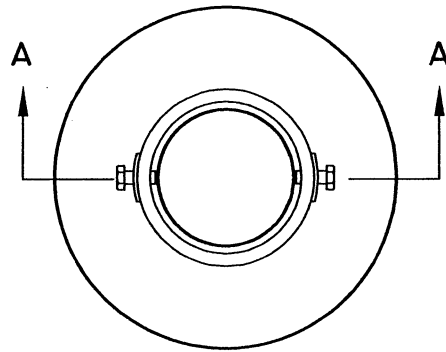


SECTION A-A

VALVE BOX BOOT

CVB 2

PLAN

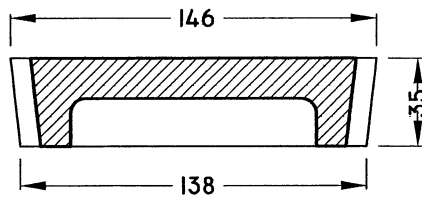
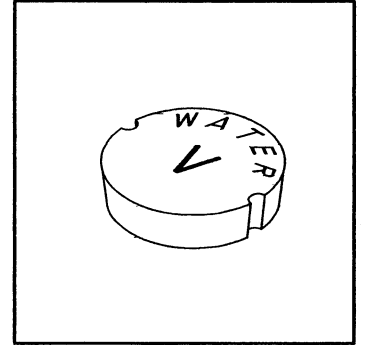
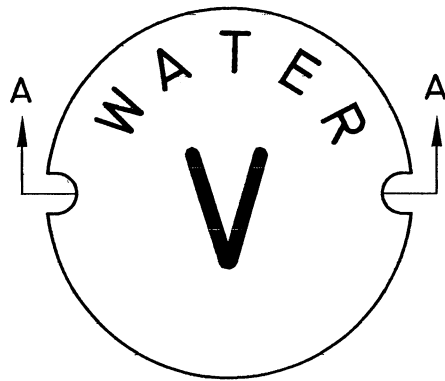


SECTION A-A

TYPE C STANDARD VALVE BOX LID

C-VB

PLAN

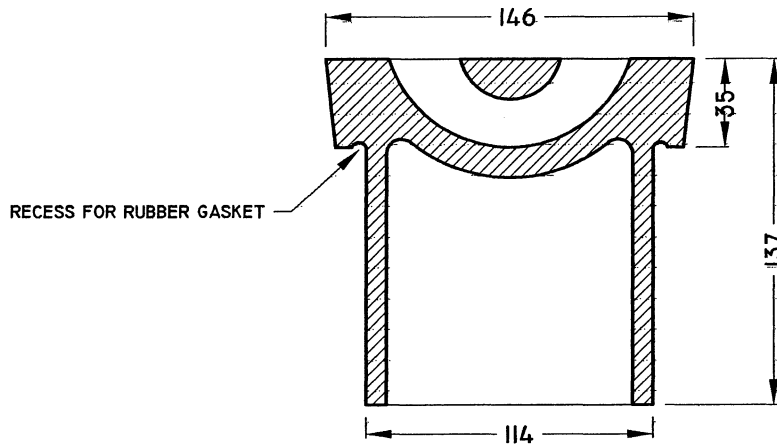
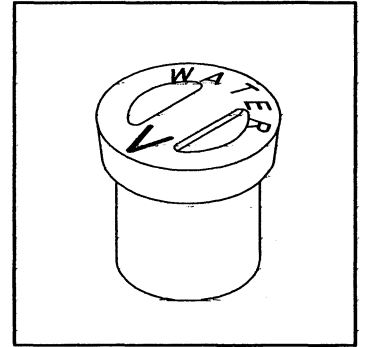
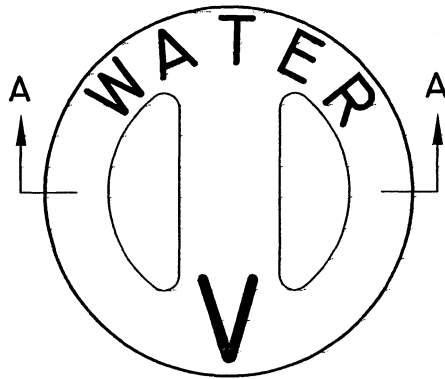


SECTION A-A

TYPE C VALVE BOX LID WITH GASKET

C-VB

PLAN

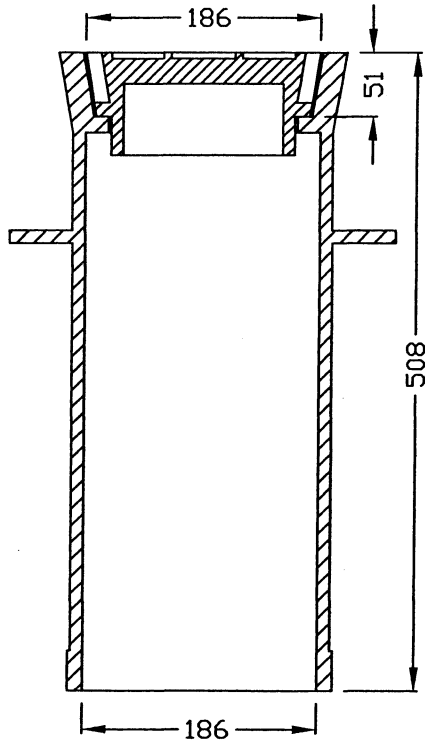
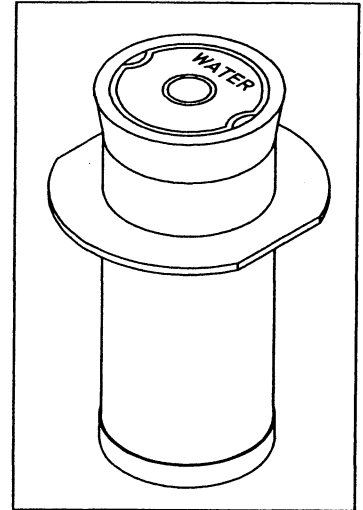
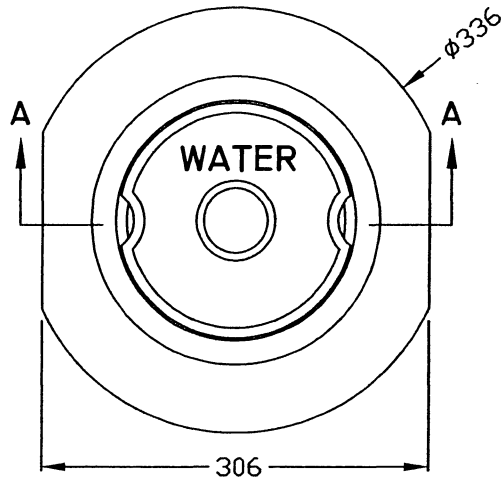


SECTION A-A

NELSON TYPE VALVE BOX

N-VB

PLAN

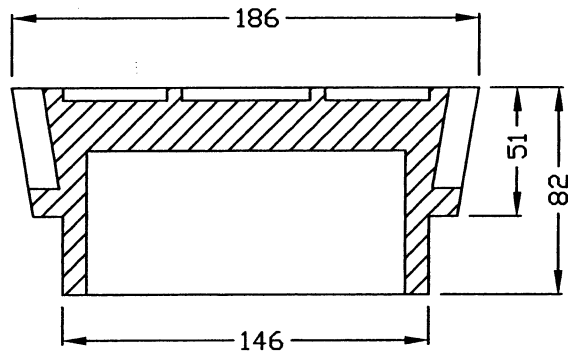
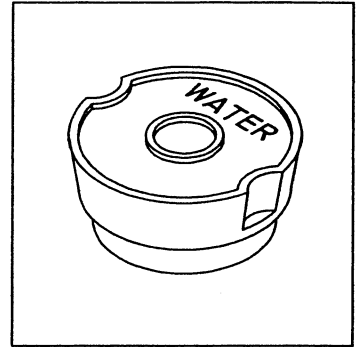
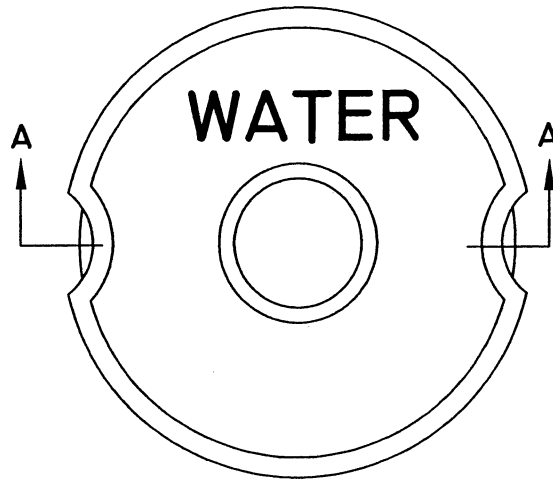


SECTION A-A

NELSON VALVE BOX STANDARD LID

N-VB

PLAN

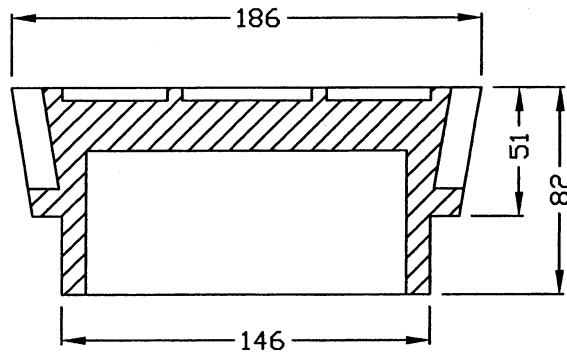
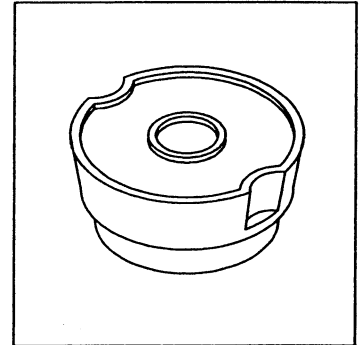
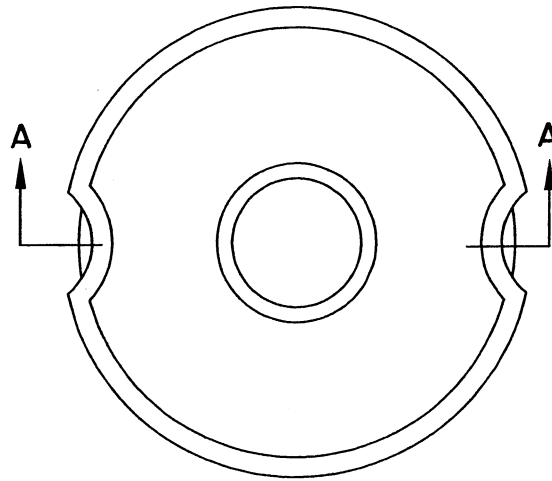


SECTION A-A

NELSON VALVE BOX STANDARD LID

N-VB

PLAN

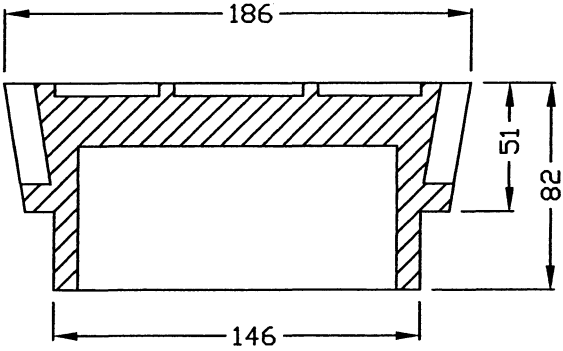
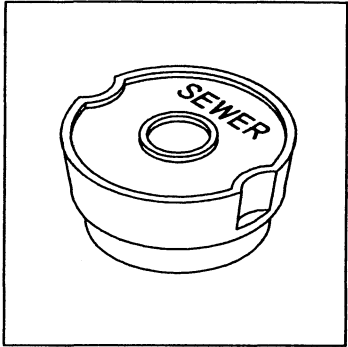
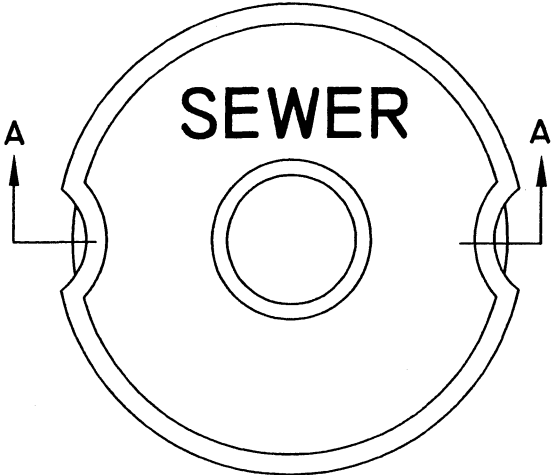


SECTION A-A

NELSON VALVE BOX STANDARD LID

N-VB

PLAN

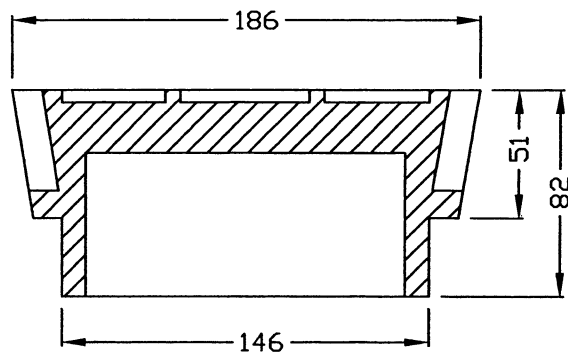
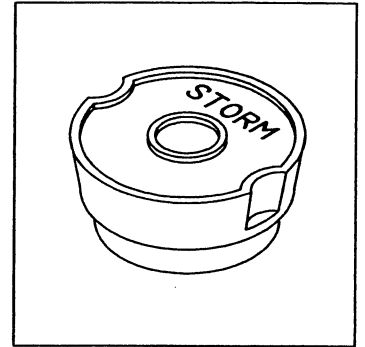
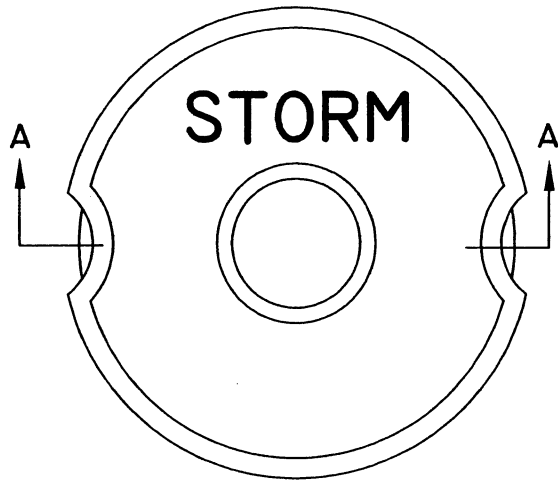


SECTION A-A

NELSON VALVE BOX STANDARD LID

N-VB

PLAN

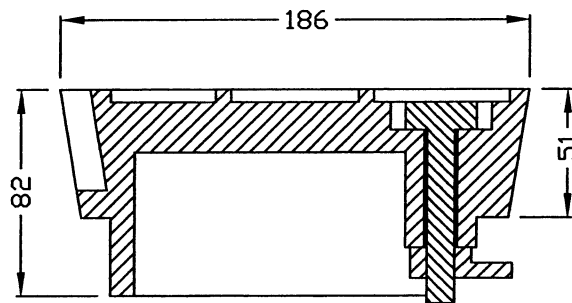
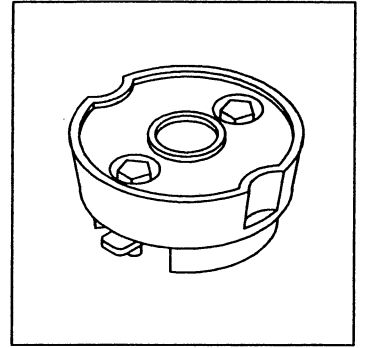
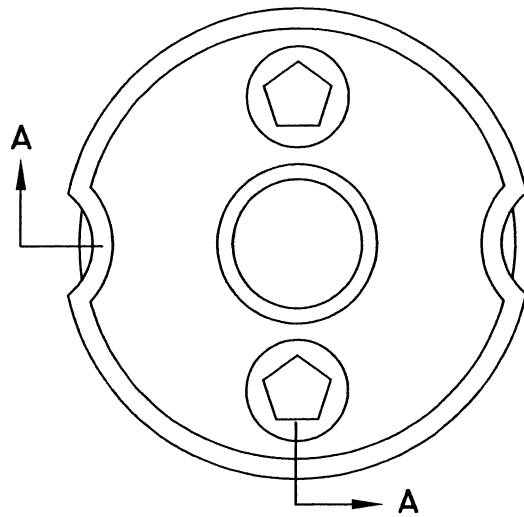


SECTION A-A

NELSON VALVE BOX LOCKING LID

N-VB

PLAN

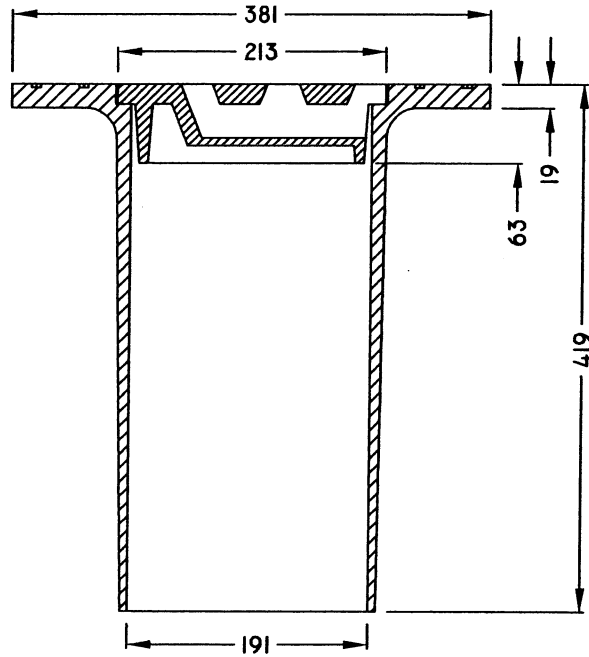
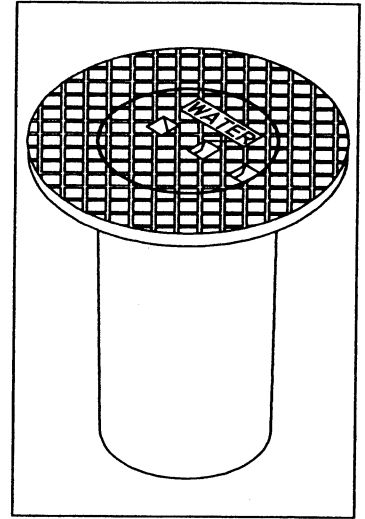
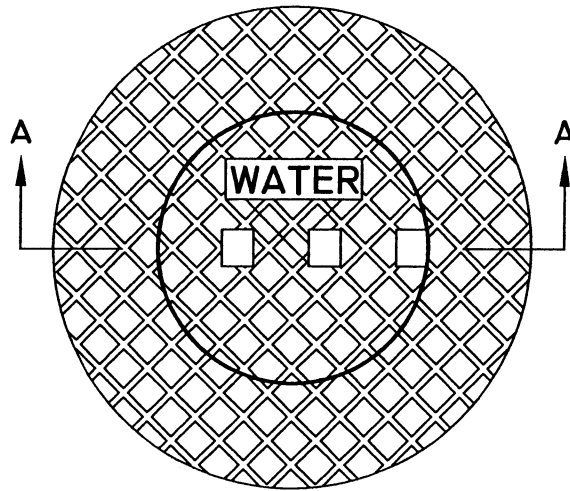


SECTION A-A

ROBAR TYPE VALVE BOX

RVB

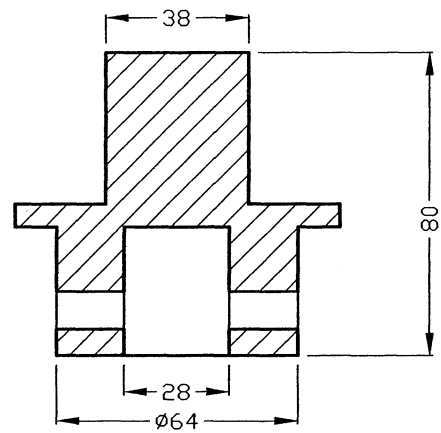
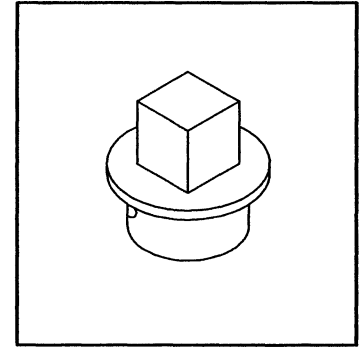
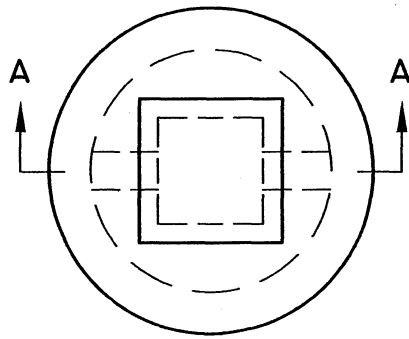
PLAN



SECTION A-A

TOP NUT 1.5IN

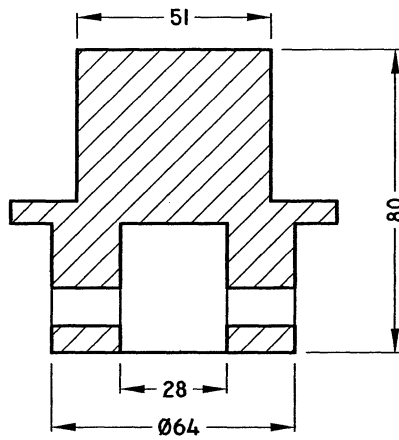
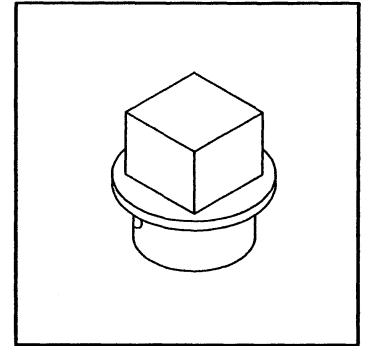
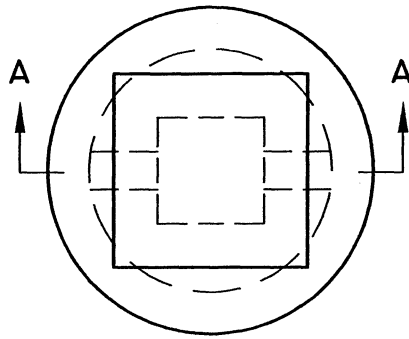
PLAN



SECTION A-A

TOP NUT 2IN

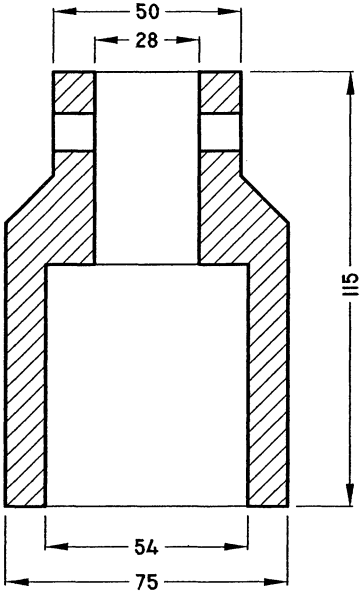
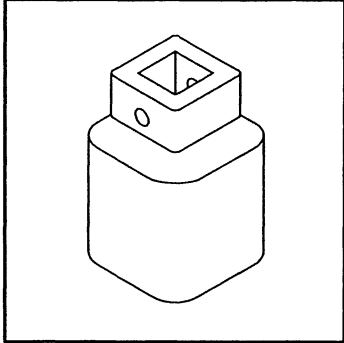
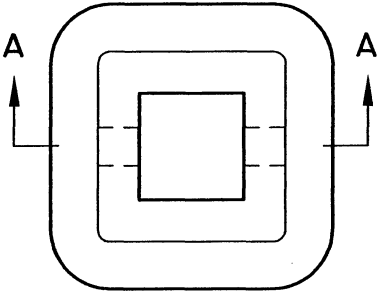
PLAN



SECTION A-A

BOTTOM NUT

PLAN

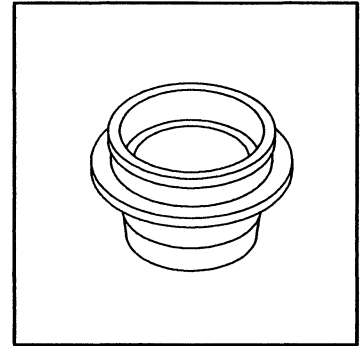
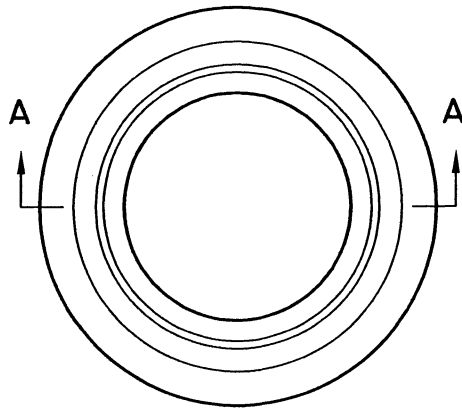


SECTION A-A

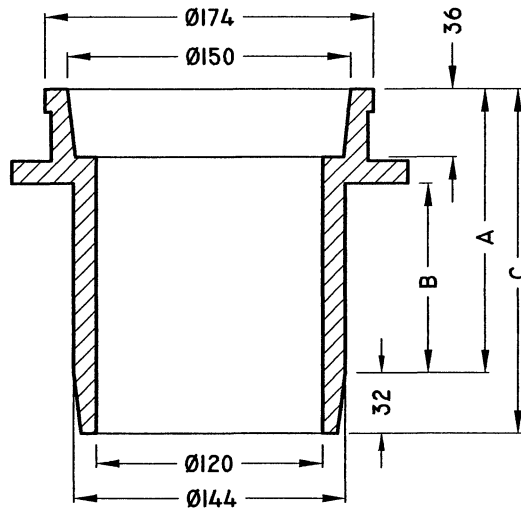
VALVE BOX ADAPTORS

CSA-VB

PLAN



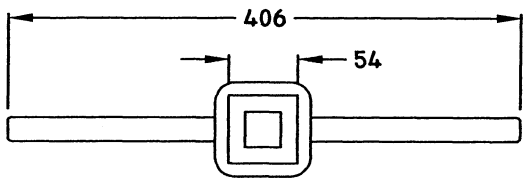
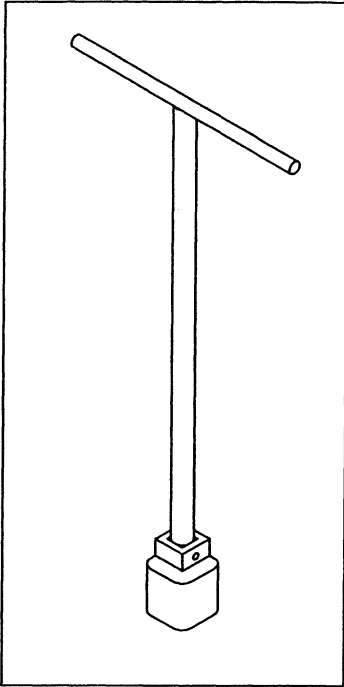
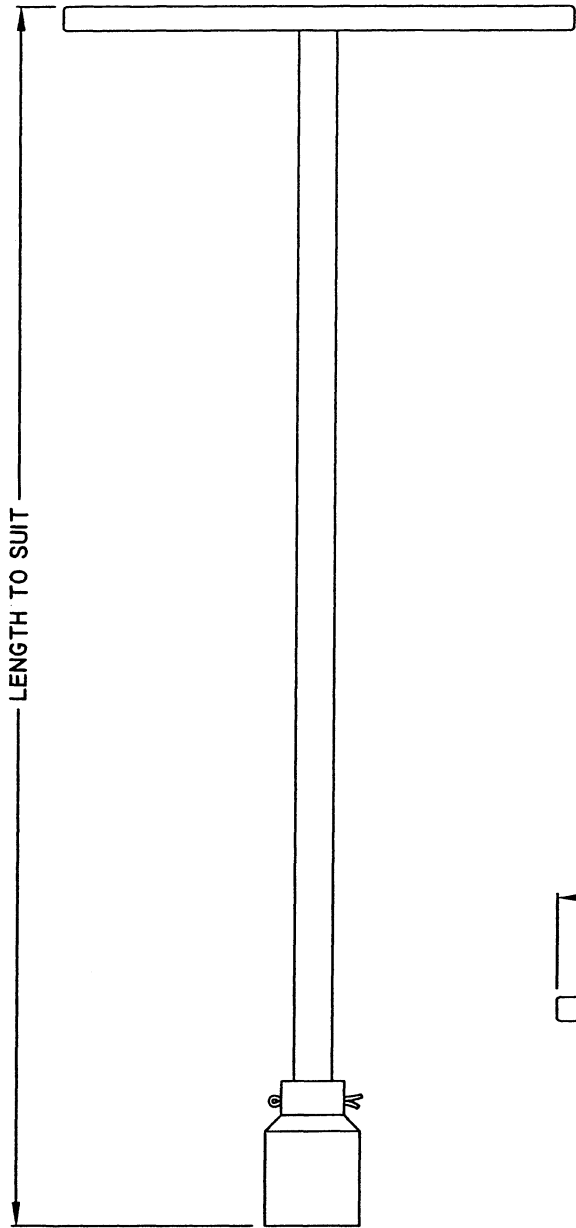
ADAPTOR	A	B	C
NO.1	50	0	82
NO.2	75	25	107
NO.3	100	50	132
NO.4	150	100	182



SECTION A-A

VALVE BOX KEY

VBK



BOTTOM VIEW

SIDE VIEW