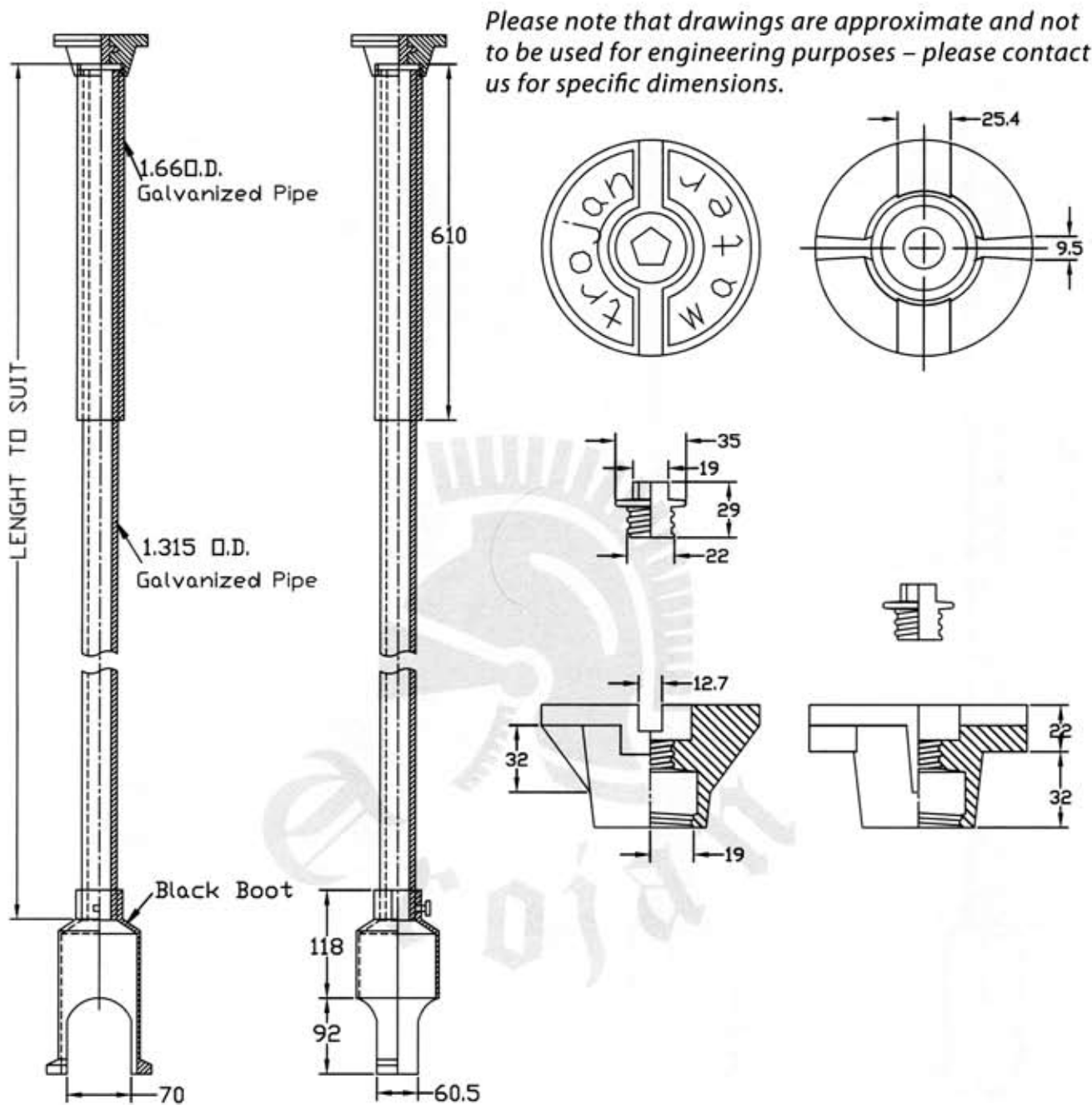




STANDARD TOP ADJUSTMENT SERVICE BOX

SSB1



Material:
1.66 D.D. Upper section 1.315 D.D. Casing-ASTM A-500 Type 1 HRR Steel
Cast Iron Cap and Boot- ASTM A-48 Class 20 Grey Iron
Brass Pentagon Plug - CDA 60-40 Yellow Brass

SMALL BOOT FOR 20mm & 25mm SERVICE

TROJAN INDUSTRIES INC.