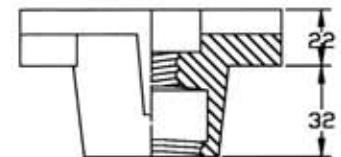
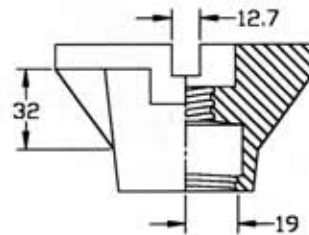
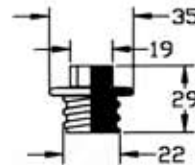
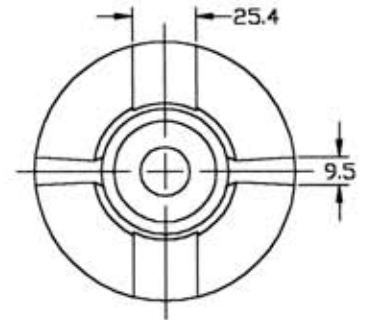
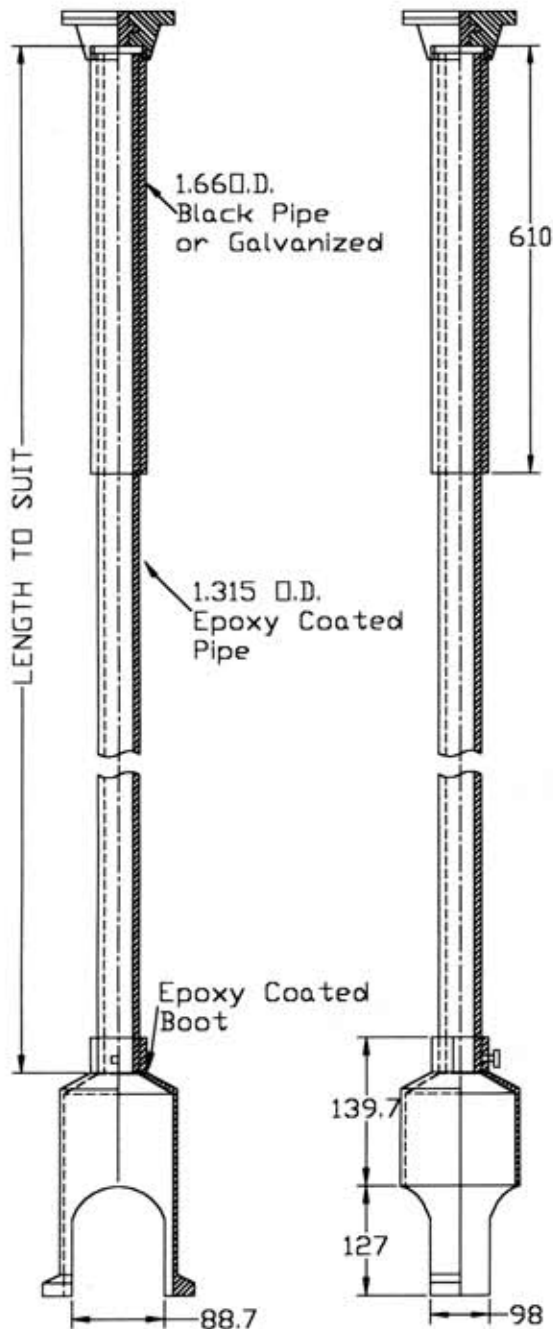




STANDARD TOP ADJUSTMENT EPOXY COATED SERVICE BOX

CSB2

Please note that drawings are approximate and not to be used for engineering purposes – please contact us for specific dimensions.



Material:

1.66 O.D. Upper section 1.315 O.D. Casing-ASTM A-500 Type 1 HRR Steel
Cast Iron Cap and Boot- ASTM A-48 Class 20 Grey Iron
1.315 O.D. Casing Epoxy Coated
Brass Pentagon Plug - CDA 60-40 Yellow Brass

LARGE BOOT FOR 40mm & 50mm SERVICE

TROJAN INDUSTRIES INC.