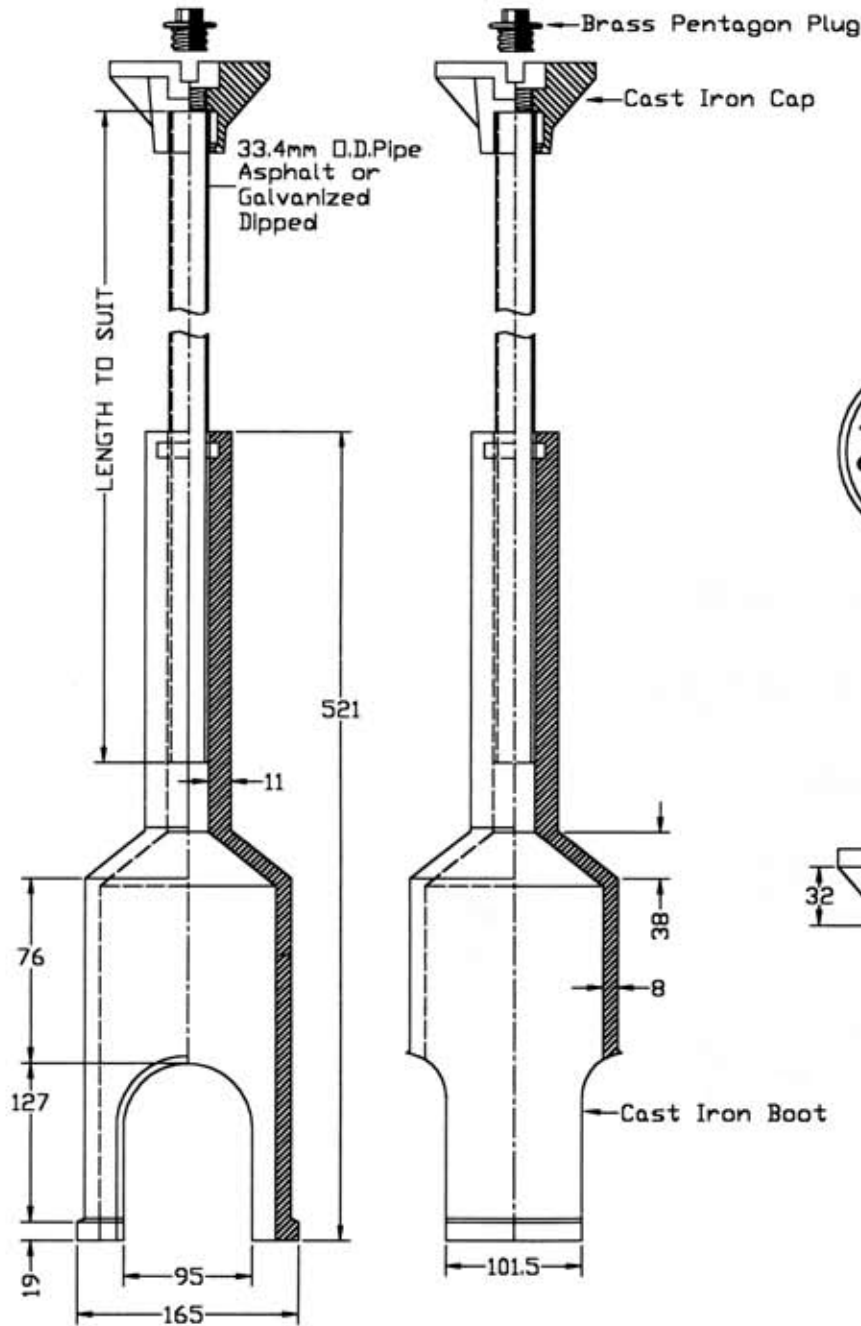




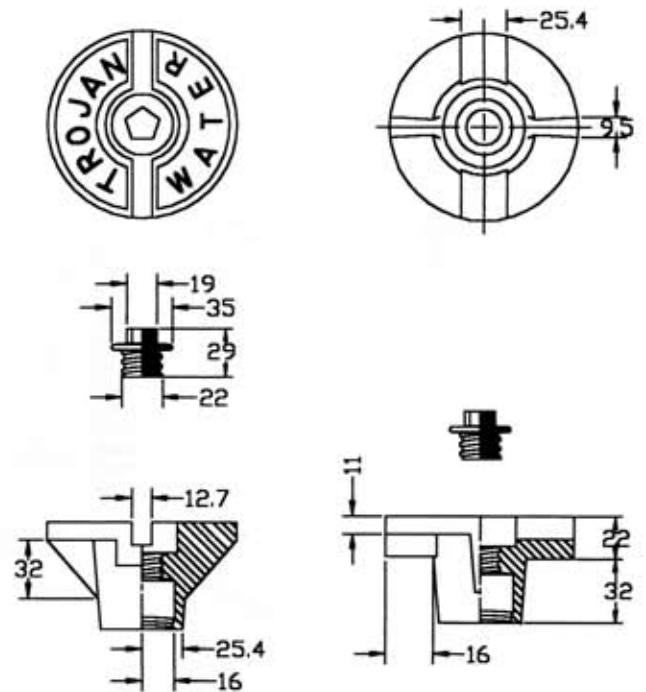
# BOTTOM ADJUSTMENT SERVICE BOX

**VS2**

*Please note that drawings are approximate and not to be used for engineering purposes - please contact us for specific dimensions.*



### 25.4MM CAP SIZE



Material:  
33.4mm O.D. Casing ASTM A-500 Type 1HRR Steel  
Cast Iron Cap & Boot-ASTM-48 Class 20 Grey Iron  
Brass Pentagon Plug-CDA 60-40 Yellow Brass

## LARGE BOOT FOR 40mm & 50mm SERVICE

TROJAN INDUSTRIES INC.