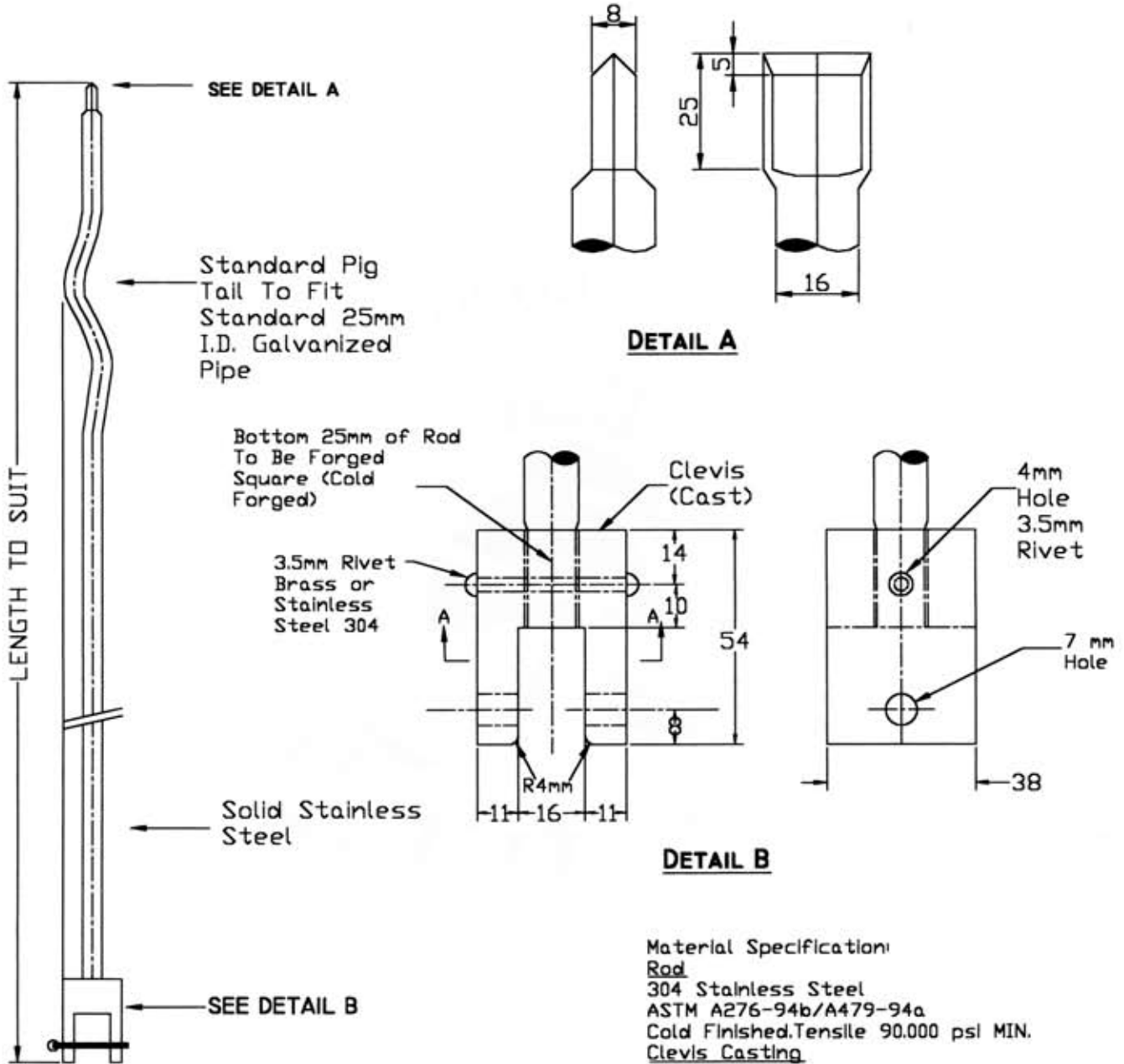




16mm STAINLESS STEEL SERVICE BOX ROD

SSRHD

Please note that drawings are approximate and not to be used for engineering purposes - please contact us for specific dimensions.



Material Specification:
Rod
 304 Stainless Steel
 ASTM A276-94b/A479-94a
 Cold Finished, Tensile 90,000 psi MIN.
Clevis Casting
 Stainless Steel
 ASTM A743/A743M-94a
 Grade CF8(304)
 Tensile: 70,000 psi MIN.

c/w STAINLESS CLEVIS

TROJAN INDUSTRIES INC.