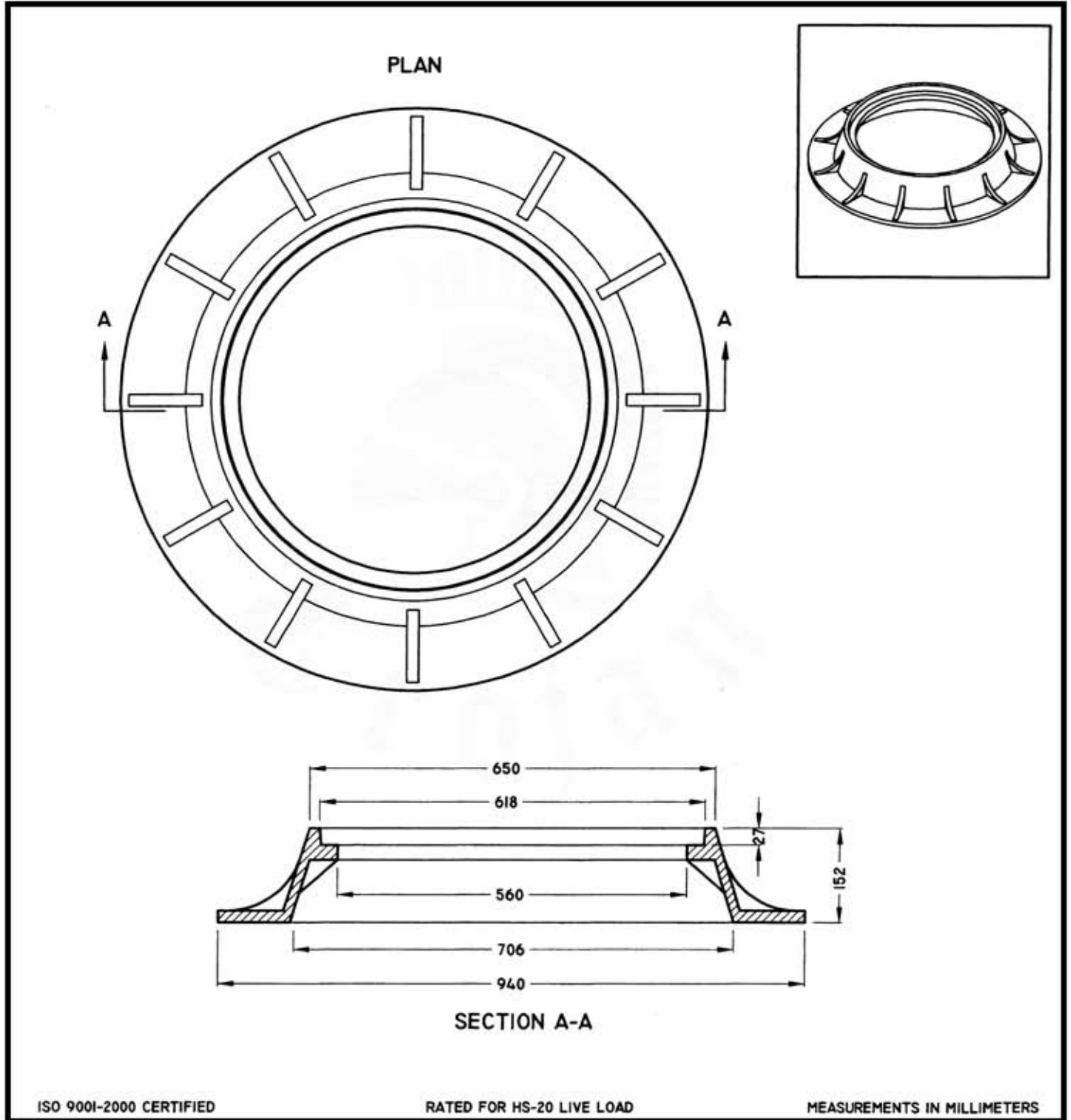




Please note that drawings are approximate and not to be used for engineering purposes – please contact us for specific dimensions.

SHALLOW FRAME

TF-50



TROJAN INDUSTRIES INC.
CALGARY • EDMONTON, ALBERTA