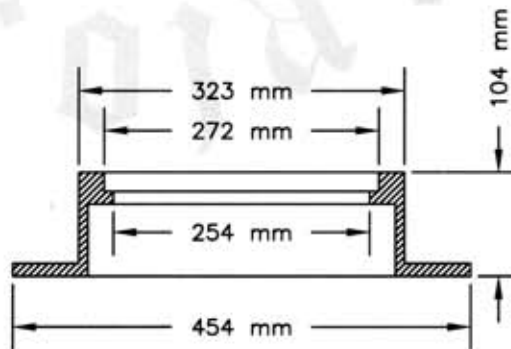
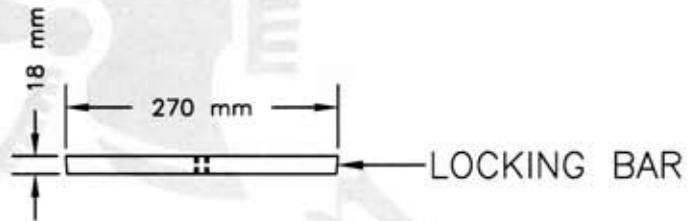
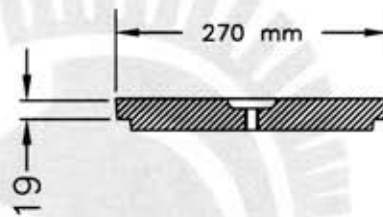
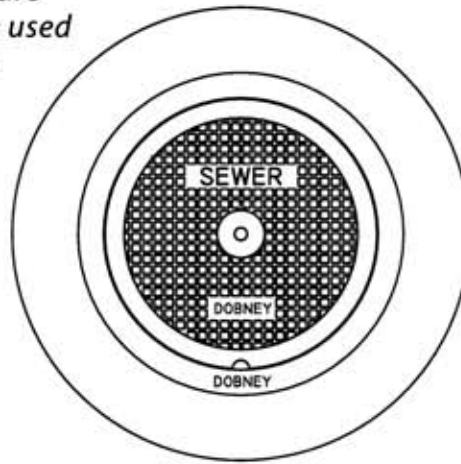




Please note that drawings are approximate and not to be used for engineering purposes – please contact us for specific dimensions.



Weight: 32KG

RATING-HWY LOAD

250 CLEANOUT

NO.
D-14C

TROJAN INDUSTRIES INC.
CALGARY • EDMONTON, ALBERTA