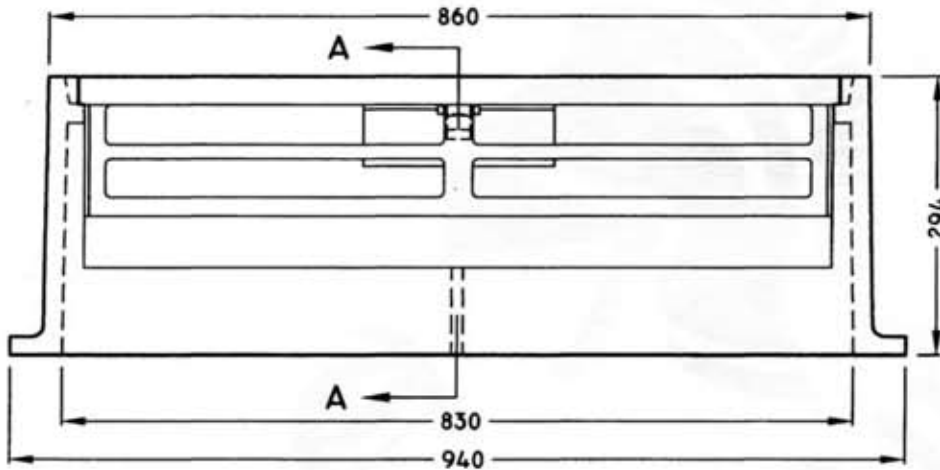
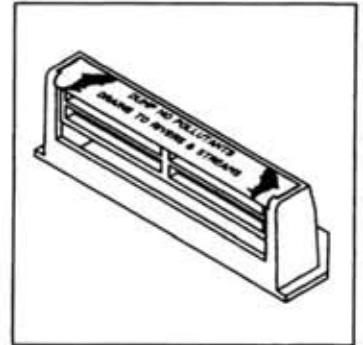
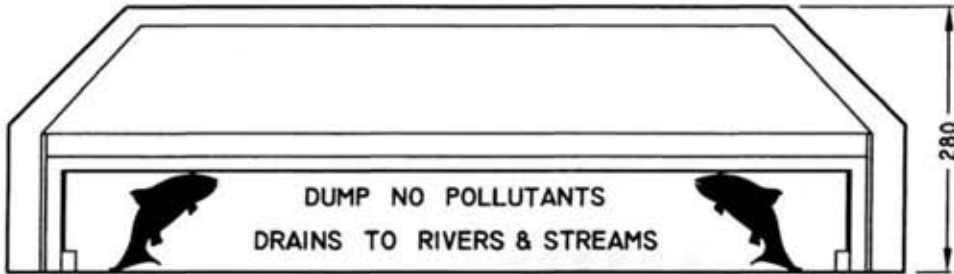




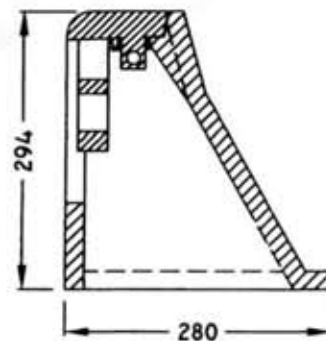
2 PIECE SIDE INLET WITH LOCK

K-1A/51A

PLAN



FRONT VIEW



SECTION A-A

ISO 9001-2000 CERTIFIED

RATED FOR HS-20 LIVE LOAD

MEASUREMENTS IN MILLIMETERS

TROJAN INDUSTRIES INC.
CALGARY • EDMONTON, ALBERTA