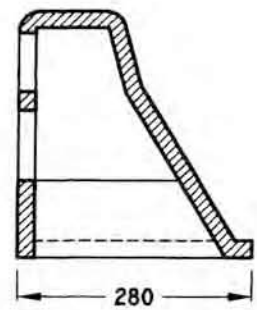
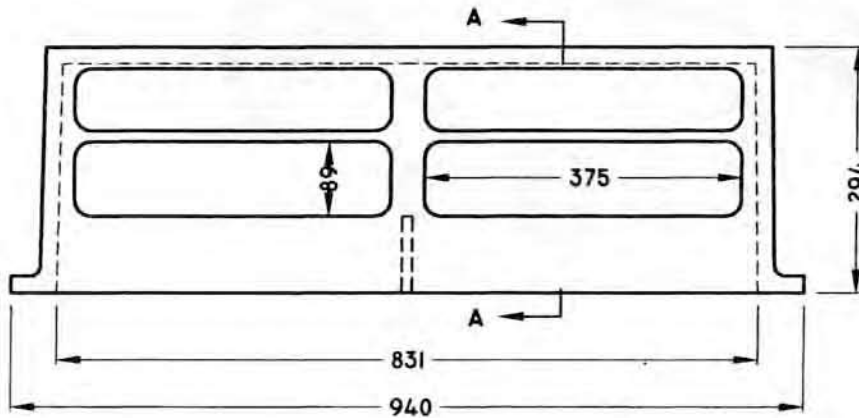
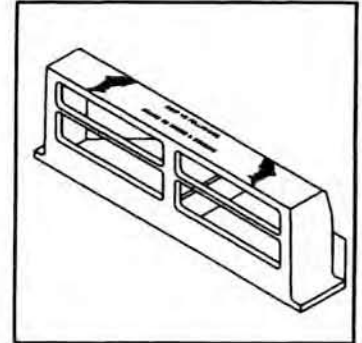
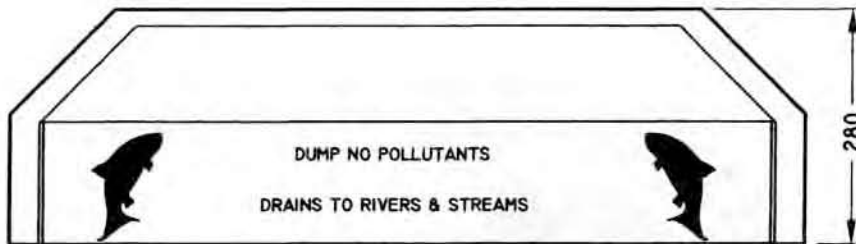




I PIECE SIDE INLET

K-I/TF-5I

PLAN



SECTION A-A

FRONT VIEW

ISO 9001-2000 CERTIFIED

RATED FOR HS-20 LIVE LOAD

MEASUREMENTS IN MILLIMETERS

TROJAN INDUSTRIES INC.
CALGARY • EDMONTON, ALBERTA